

STACKED DRYER

Repair Parts List

MODEL NUMBER

MLG23MNFWW

When requesting service or ordering parts, always provide the following information:

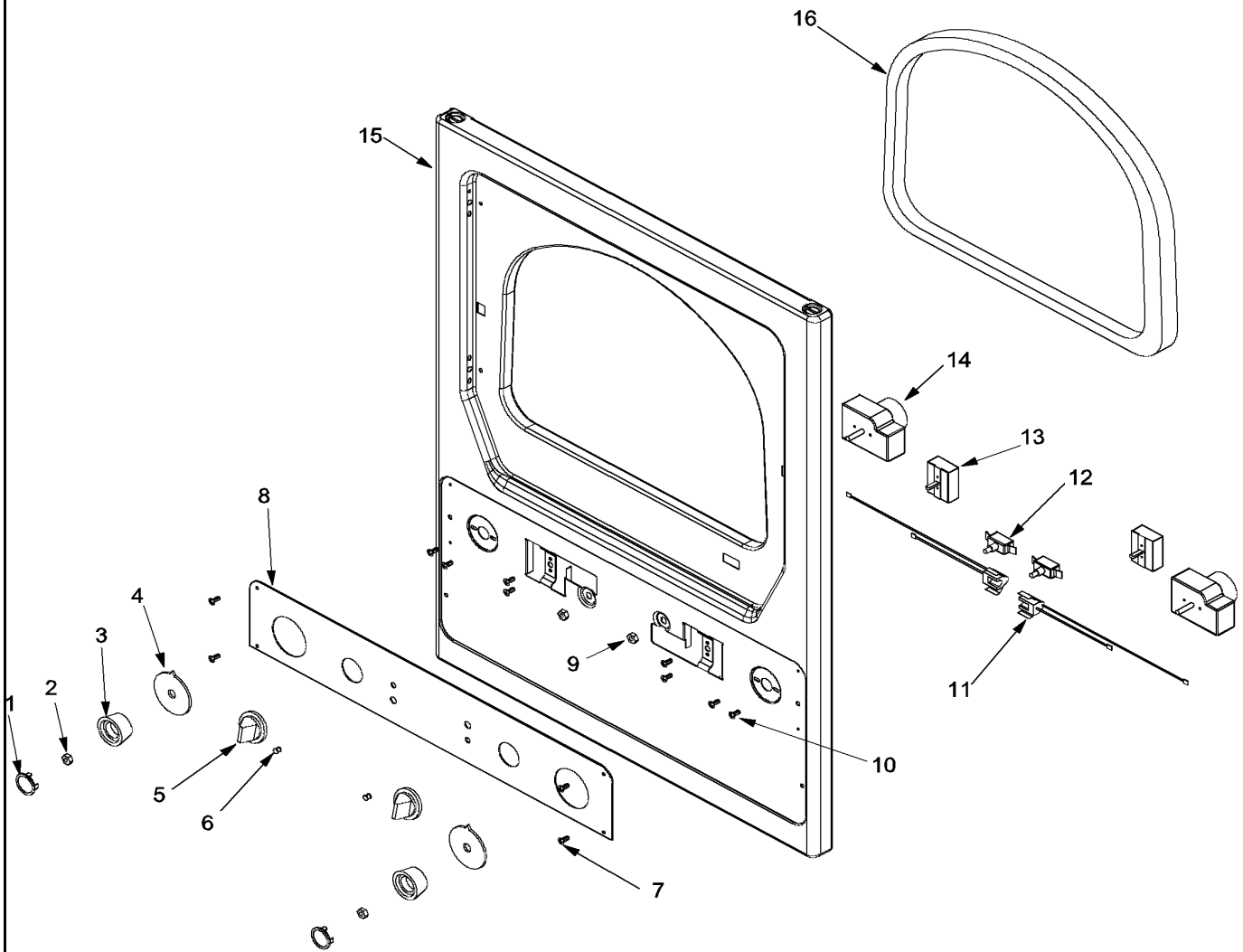
- Product Type
- Part Number
- Model Number
- Part Description

MAYTAG®

©2005 Maytag Services

Section: CONTROL PANEL

Model: MLG23MNFWW



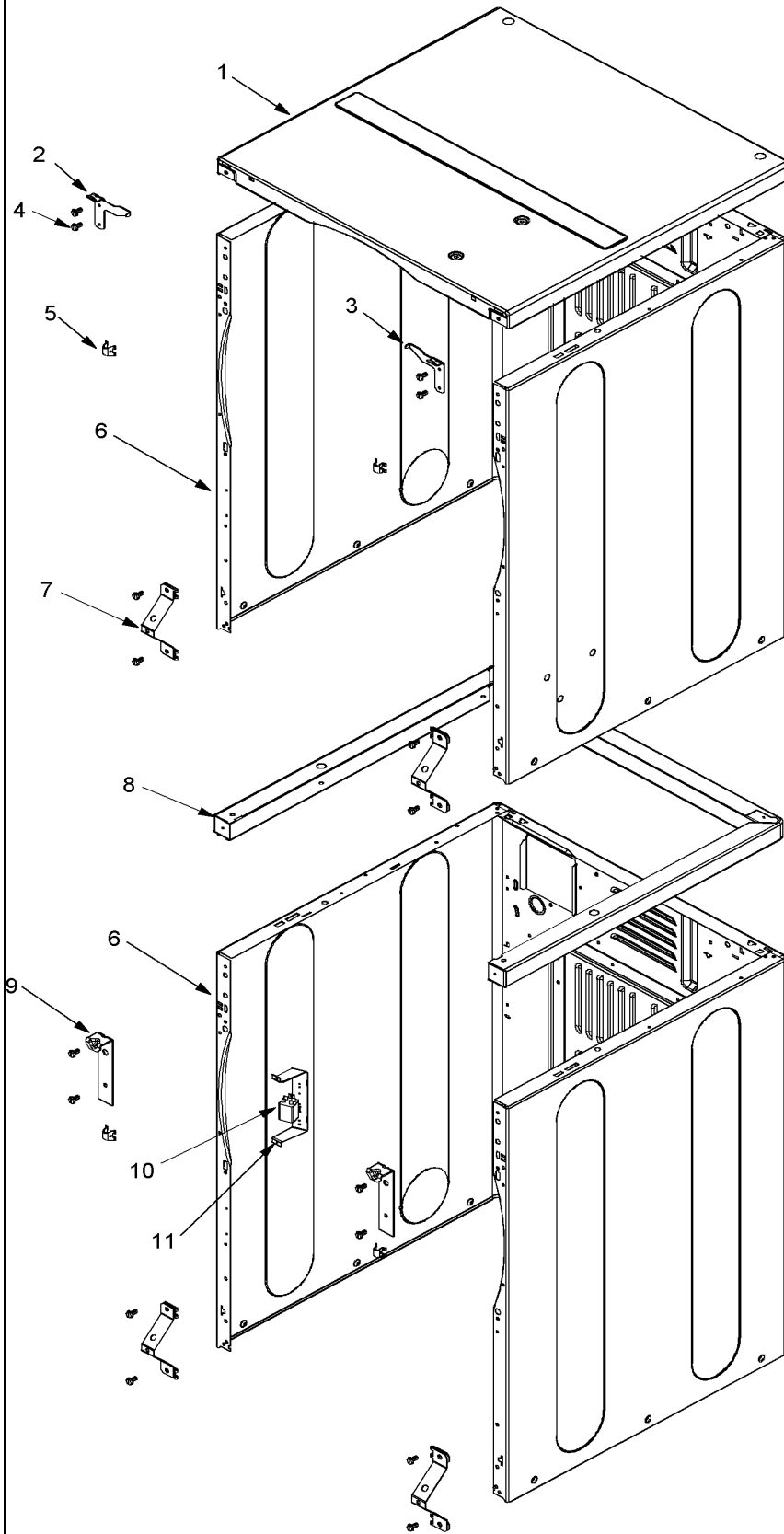
Section: CONTROL PANEL

No.	Part No.	Description	Series	Qty
1	314723	CAP FOR TIMER KNOB	10	1
2	312273	NUT	10	2
3	314724	KNOB FOR TIMER	10	2
4	33001500	SKIRT, DIAL	10	2
5	205663	KNOB FOR SELECTOR SWITCH	10	2
6	215564	LENS, INDICATOR (AMBER)	10	2
7	215506	SCREW, TORX	10	4
8	33002827	FACIA, COMM. - MN D/D	10	1
9	Y312702	KNURLED NUT	10	2
-	Y312706	HEX NUT ON SWITCH	10	2
-	312751	LOCK WASHER	10	2
10	313588	SCREW	10	8
11	33002798	LAMP, PILOT	10	2
12	306940	SWITCH, PUSH-TO-START	10	2
13	307253	SWITCH CYCLE SEL	10	2
14	307296	TIMER RPR	10	2
15	33002824	PANEL, MN FLAT FRONT	10	1
16	33001767	SEAL, SHROUD	10	1

*Color Code (-)=Not Shown #=Series, Serial Prefix or Run No., N=Not Available

Section: CABINET FRONT

Model: MLG23MNFWW



CD13-9

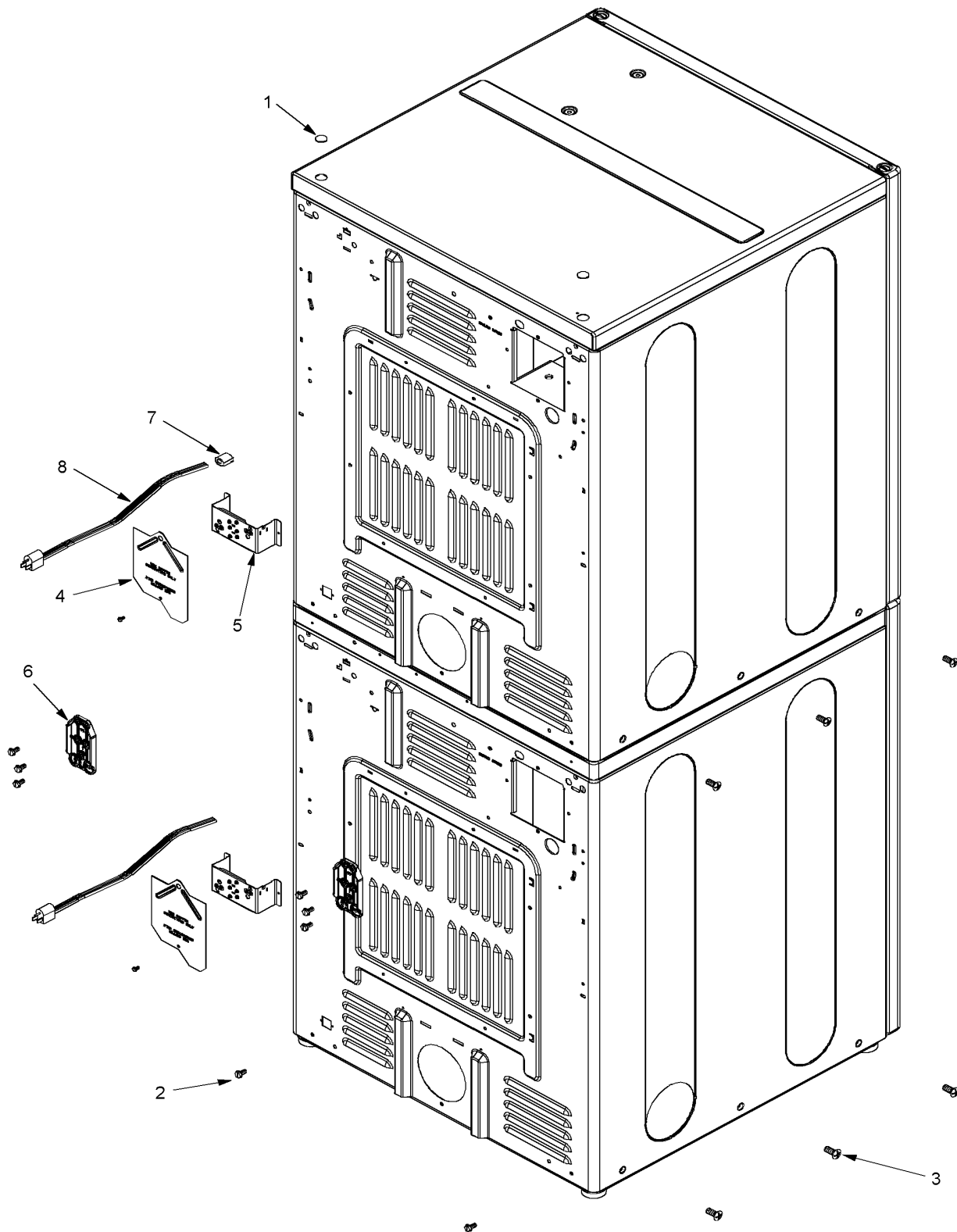
Section: CABINET FRONT

No.	Part No.	Description	Series	Qty
-	22001402	SCREW	10	2
1	33002124	COVER, TOP (WHT)	10	1
2	33002818	BRACKET, LH UPPER FRONT PANEL	10	2
3	33002819	BRACKET, RH UPPER FRONT PANEL	10	1
4	22001995	SCREW	10	4
5	33001980	CLIP, ACCESS PANEL	10	4
6 N	22003643	CABINET ASSY. (WHT AS PK)	10	2
7	22002425	BRACKET, "V"	10	4
-	22001995	SCREW	10	8
8	33002820	SUPPORT WELD ASS'Y	10	1
-	22001402	SCREW	10	4
-	22001995	SCREW	10	4
9	33002821	BRACKET, FRONT LOWER PANEL	10	2
-	251119	SCREW	10	1
10	22004151	RELAY, SPST	10	1
-	22001995	SCREW	10	2
11	314627	RELAY BRACKET	10	1

*Color Code (-)=Not Shown #=Series, Serial Prefix or Run No., N=Not Available

Section: CABINET REAR

Model: MLG23MNFWW



CD18-29

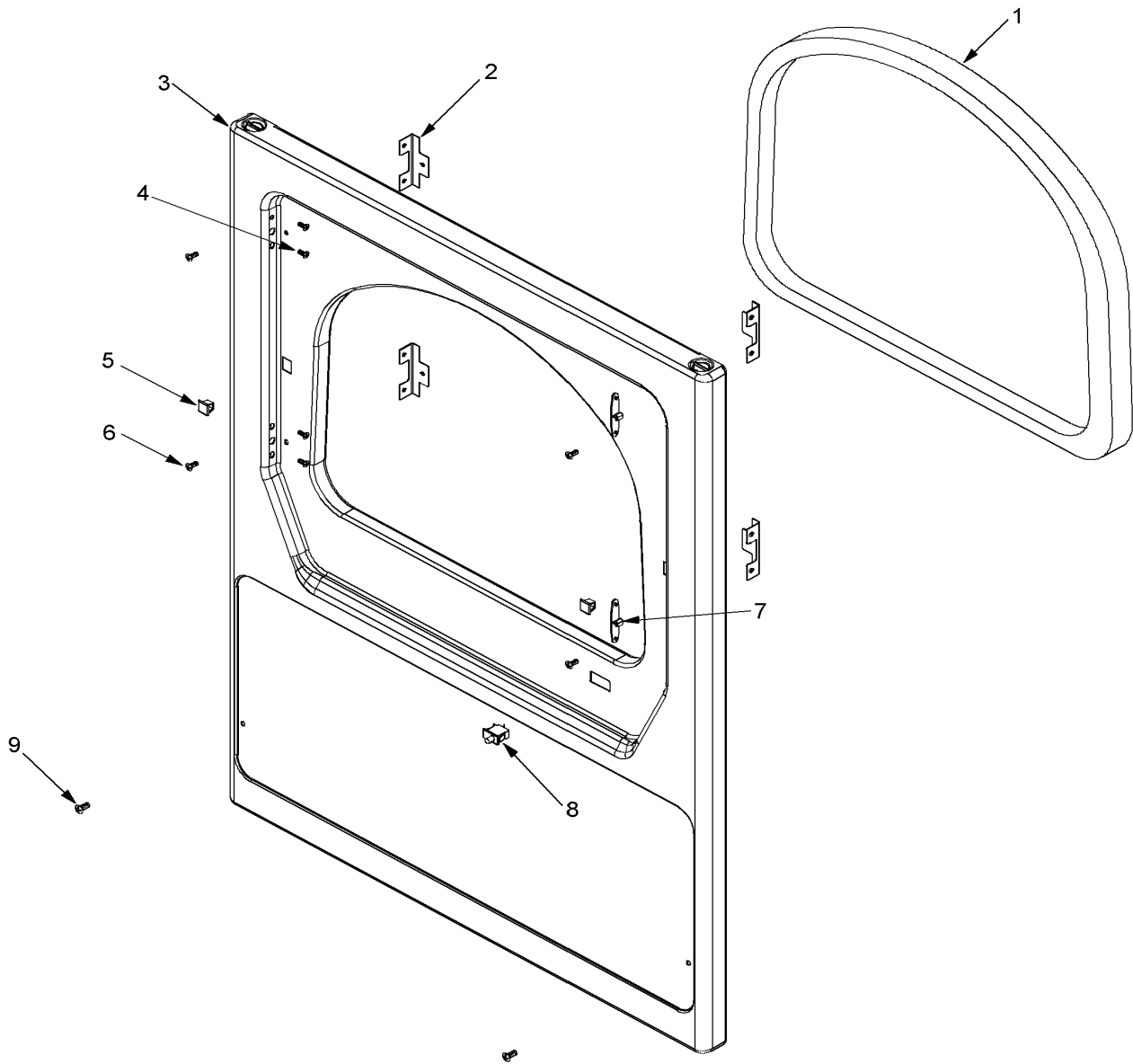
Section: CABINET REAR

No.	Part No.	Description	Series	Qty
1	33001997	PLUG, HOLE	10	2
2	22001995	SCREW	10	2
3	213007	SCREW, CABINET	10	12
-	22001995	SCREW	10	1
4	33001795	COVER, TERMINAL BLOCK	10	1
5 N	33001826	BRACKET, TERMINAL BLOCK----NA	10	1
-	22001995	SCREW	10	2
-	33001244	BLOCK, TERMINAL	10	1
-	22001995	SCREW	10	6
6	33002829	BRACKET, REAR SUPPORT	10	2
7	211881	GROMMET, CORD	10	1
8	22003062	CORD, POWER (AS WRAPPED)	10	1

*Color Code (-)=Not Shown #=Series, Serial Prefix or Run No., N=Not Available

Section: FRONT PANEL

Model: MLG23MNFWW



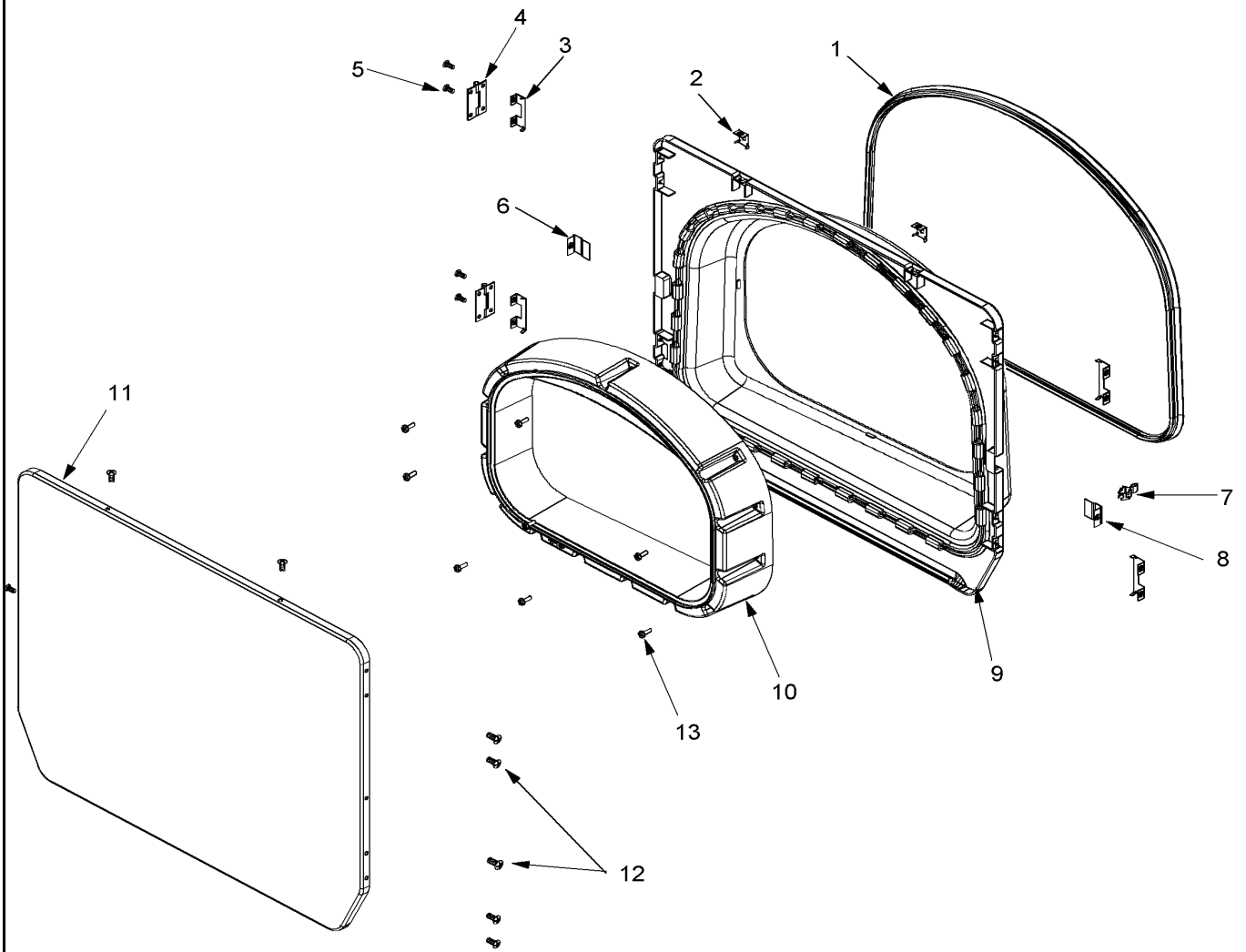
Section: FRONT PANEL

No.	Part No.	Description	Series	Qty
1	33001767	SEAL, SHROUD	10	1
2	33002025	TWIN SPEEDNUT	10	4
3	33002825	PANEL, FLAT FRONT LOWER	10	1
3	33002824	PANEL, MN FLAT FRONT	10	1
4	22002062	SCREW	10	4
5	Y304578	CATCH, DOOR (FEMALE)	10	2
6	33001486	PANEL, FASTENER	10	4
7	33001175	COVER, HINGE HOLE (WHT)	10	2
8	33001509	SWITCH, DOOR	10	1
9	33002881	SCREW, SECURITY #10-16X1/2	10	2

*Color Code (-)=Not Shown #=Series, Serial Prefix or Run No., N=Not Available

Section: DOOR

Model: MLG23MNFWW



CD12-22

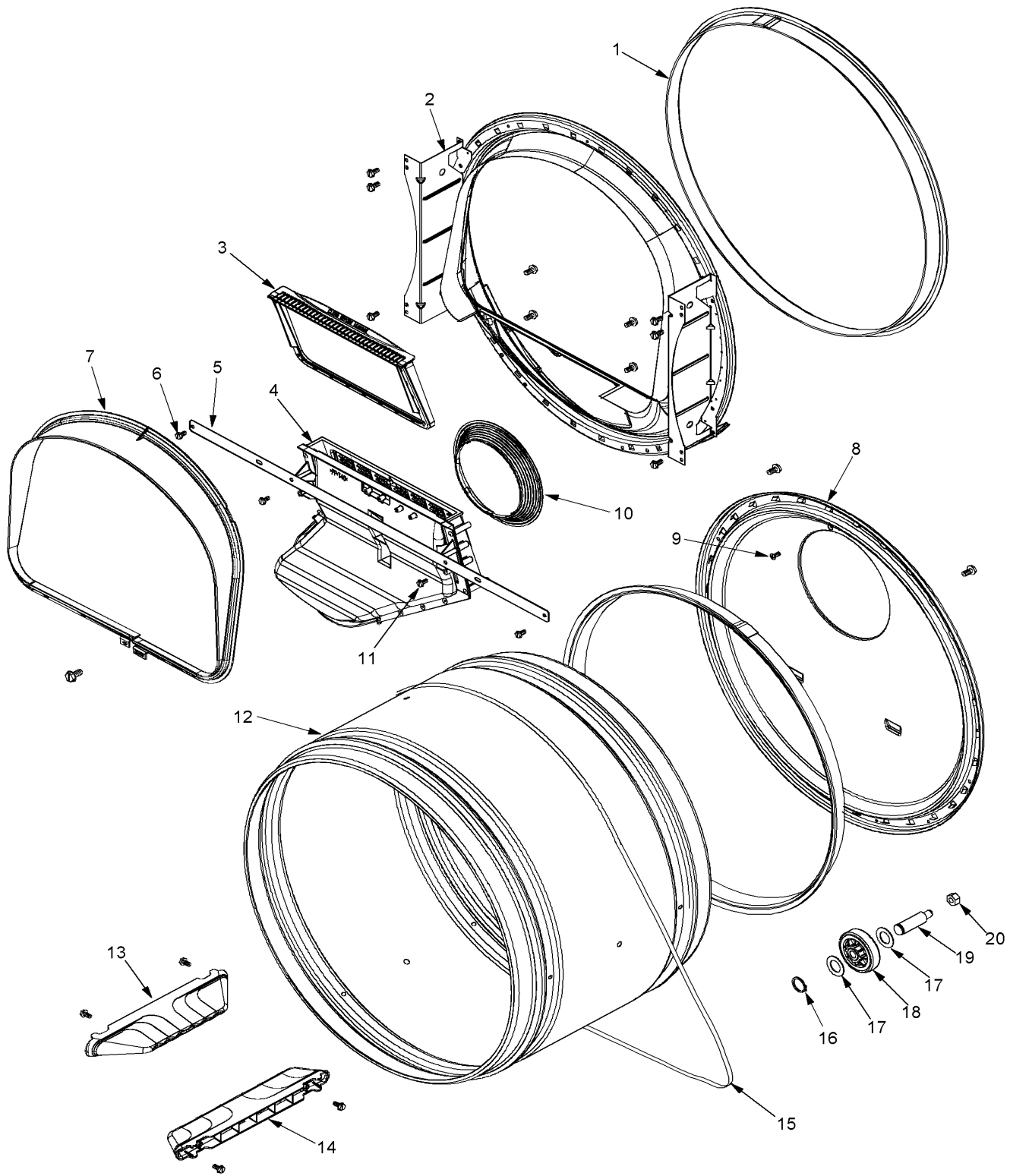
Section: DOOR

No.	Part No.	Description	Series	Qty
1	33002094	SEAL, DOOR	10	1
2	22002039	CLIP, DOOR (SINGLE)	10	1
3	22002038	CLIP, DOOR (DOUBLE)	10	4
4	33002017	HINGE, DOOR	10	2
5	22002062	SCREW	10	4
6	33001763	PLUG, INNER DOOR	10	1
7	33001761	STRIKE, DOOR (MALE)	10	1
8	33001793	BRACKET, STRIKE	10	1
9	22002520	DOOR, INNER (W/SEAL)	10	1
10	33002780	DOOR TUNNEL W' HANDLE (WHT)	10	1
11	33002079	DOOR, OUTER (WHT)	10	1
12	22002063	SCREW #8-18AB WAFER HD	10	8
13	22002300	SCREW	10	7

*Color Code (-)=Not Shown #=Series, Serial Prefix or Run No., N=Not Available

Section: TUMBLER

Model: MLG23MNFWW



CD16-30

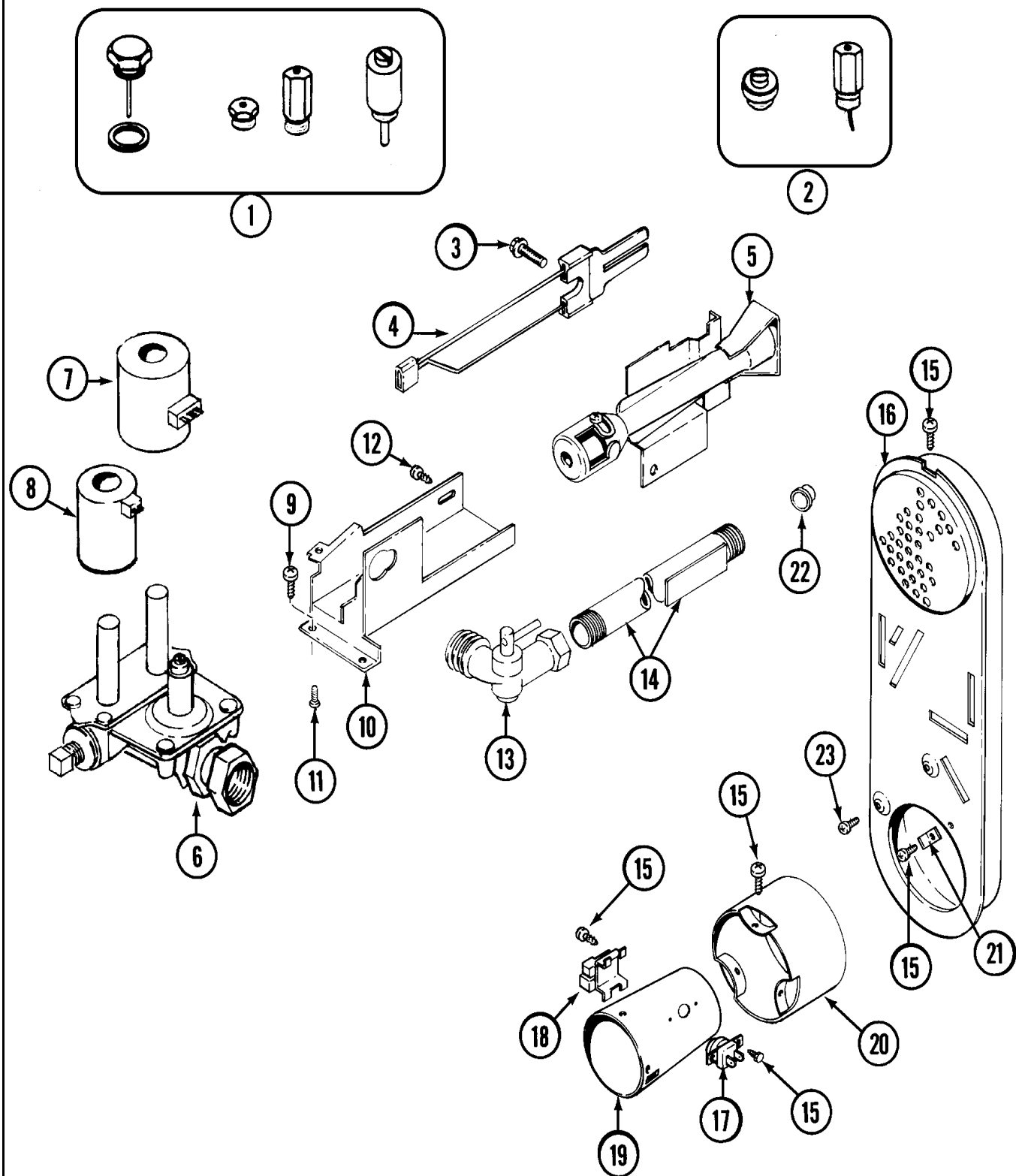
Section: TUMBLER

No.	Part No.	Description	Series	Qty
1	33001807	SEAL, TUMBLER	10	2
-	22001995	SCREW	10	6
2	33001802	FRONT, TUMBLER (W/SEAL)	10	1
3	33001804	FILTER, LINT	10	1
-	22001995	SCREW	10	4
4	33001799	OUTLET DUCT ASSEMBLY	10	1
5	33002039	BRACE, TUMBLER FRONT	10	1
6	22001995	SCREW	10	2
7	33002026	EXTENSION, TUMBLER FRONT	10	1
-	22001995	SCREW	10	4
-	22001995	SCREW	10	4
8	33002779	TUMBLER BACK & SEAL AS-PACK	10	1
8	33003037	TUMBLER BACK & SEAL	17	1
9	N 312311	SCREW---NA	10	2
10	33002560	SEAL, BLOWER	10	1
11	33001768	SCREW, SHROUD	10	4
12	33001794	TUMBLER	10	1
-	33001788	SCREW, BAFFLE	10	4
13	33001756	BAFFLE (TALL)	10	2
14	33001755	BAFFLE (SHORT)	10	1
-	33001788	SCREW, BAFFLE	10	2
15	33002535	V-BELT (TUMBLER)	10	1
16	410233	RING, RETAINING	10	2
17	312535	WASHER, ROLLER SHAFT	10	4
18	Y303373	BEARING & ROLLER ASSEMBLY	10	2
19	312948	SHAFT, TUMBLER ROLLER	10	2
20	33001443	NUT, HEX (ROLLER SHAFT)	10	2

*Color Code (-)=Not Shown #=Series, Serial Prefix or Run No., N=Not Available

Section: GAS HEATER

Model: MLG23MNFWW



CD14-1

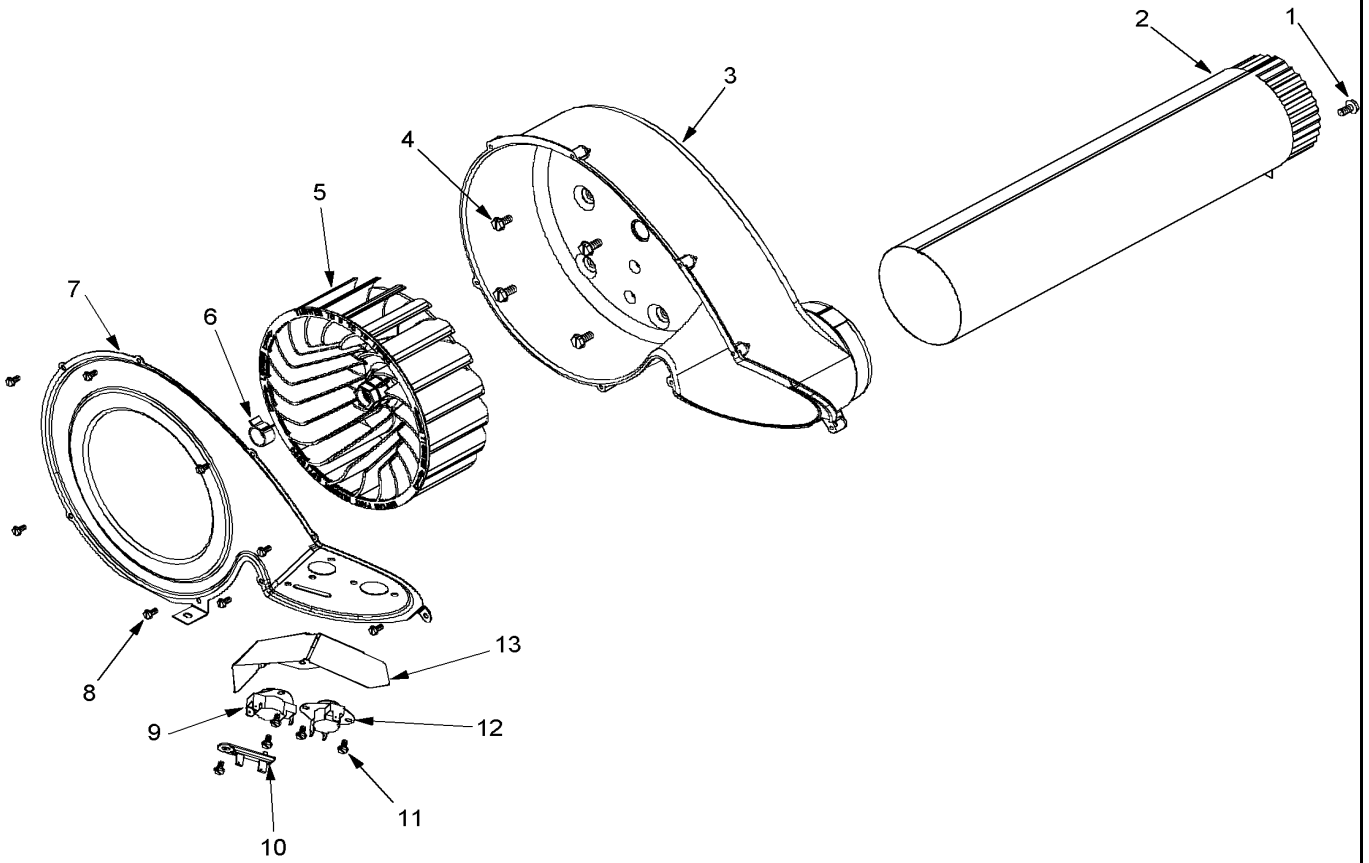
Section: GAS HEATER

No.	Part No.	Description	Series	Qty
1	308378	CONVERSION KIT (NATURAL TO LP)	10	1
2	Y308377	CONVERSION KIT (LP TO NATURAL)	10	1
3	304971	SCREW	10	1
4	33002789	IGNITER ASSEMBLY	11	1
4	304970	IGNITER ASSY, GAS VALVE	10	1
5	33002793	BURNER ASSEMBLY	10	1
6	308345	VALVE, GAS	10	1
7	306106	COIL, HOLDING & BOOSTER	10	1
8	306105	COIL, SECONDARY	10	1
9	N 313561	SCREW----NA	10	1
10	33002710	BRACKET, GAS CONTROL	10	1
11	N 313561	SCREW----NA	10	2
12	22001995	SCREW	10	2
13	306086	ANGLE SHUT OFF FOR GAS VALV	10	1
14	33001735	PIPE & BRACKET ASSY.	10	1
15	211294	SCREW	10	14
16	33002765	INLET DUCT ASSEMBLY (GAS)	10	1
16	33003039	ASSY,INLET DUCT-GAS	17	1
17	305169	THERMOSTAT, HI-LIMIT GAS	10	1
18	303377	SENSOR, RADIANT	10	1
19	33001835	CONE ASSY., COMBUSTION	10	1
20	33001812	EXTENSION CONE ASSY.	10	1
21	Y312890	RETAINER, HEATER CHAMBER	10	1
22	33001693	CAP, GAS PIPE	10	1
23	211294	SCREW	10	1

*Color Code (-)=Not Shown #=Series, Serial Prefix or Run No., N=Not Available

Section: BLOWER

Model: MLG23MNFWW



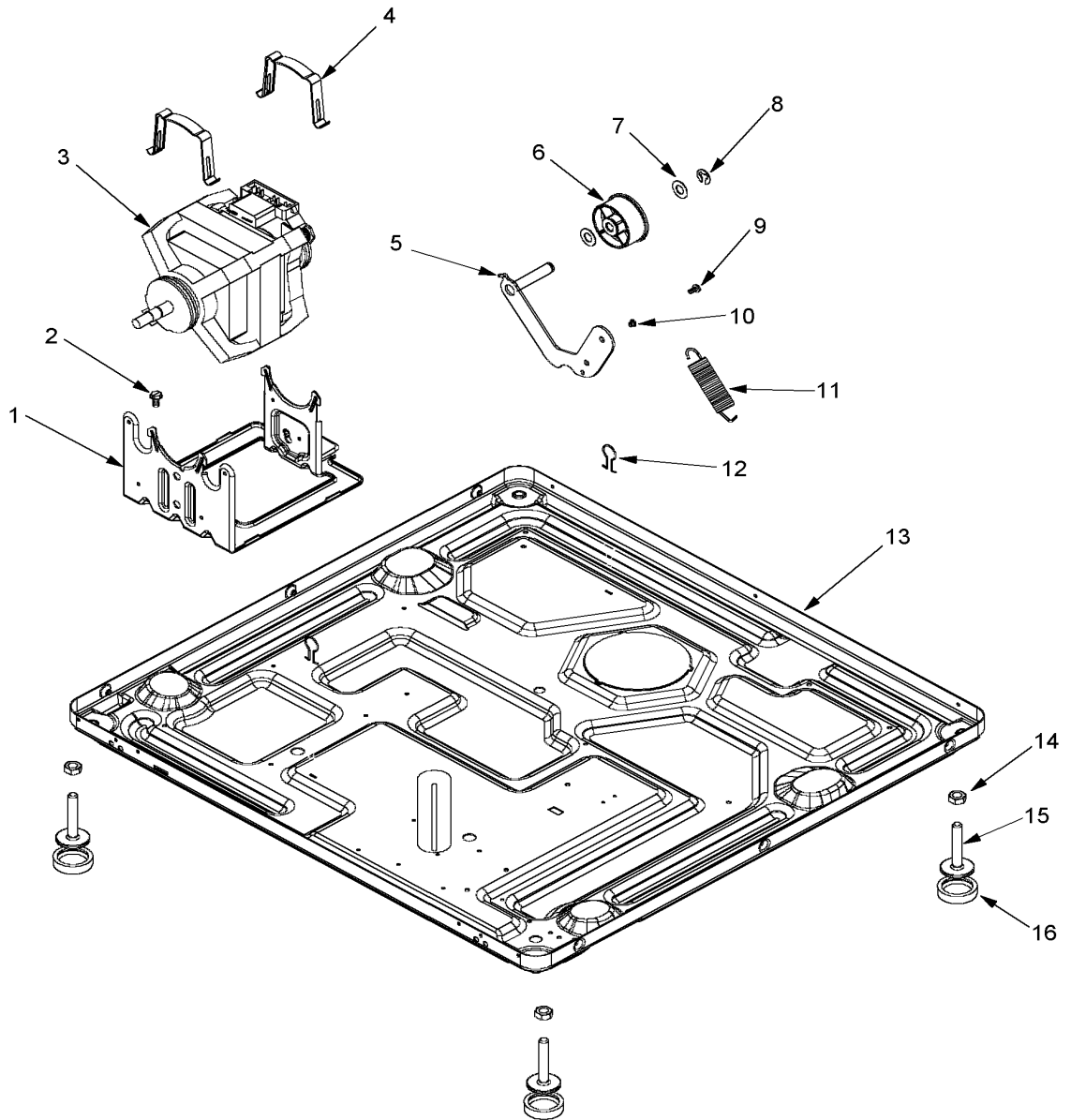
Section: BLOWER

No.	Part No.	Description	Series	Qty
1	22001995	SCREW	10	1
2	33001799	OUTLET DUCT ASSEMBLY	10	1
3	33001789	HOUSING, BLOWER	10	1
4	310632	SCREW	10	4
5	33002797	WHEEL, BLOWER	10	1
6	312967	CLAMP, BLOWER HOUSING	10	1
7	33002711	COVER, BLOWER HOUSING	10	1
8	33001855	SCREW (HEX HEAD)	10	8
9	306398	RELAY - SPST HEATER	10	1
10	33001762	FUSE, THERMAL (W' BRACKET)	10	1
11	22002925	SCREW	10	5
12	33303391	THERMOSTAT, CYCLING	10	1

*Color Code (-)=Not Shown #=Series, Serial Prefix or Run No., N=Not Available

Section: BASE

Model: MLG23MNFWW



Section: BASE

No.	Part No.	Description	Series	Qty
1	33002466	SUPPORT, MOTOR	10	1
2	N 313561	SCREW----NA	10	1
3	33002795	MOTOR, DRIVE 60HZ	10	1
4	33002221	CLIP, MOTOR	10	2
5	33001840	IDLER ARM & SHAFT ASSY.	10	1
6	33001783	BEARING, IDLER ASSEMBLY	10	1
7	312527	WASHER, IDLER SHAFT (QTY-1)	10	2
8	312958	RETAINING RING, IDLER SHAFT	10	1
9	Y014874	SCREW	10	1
10	33002218	GROMMET, IDLER ARM	10	1
11	33002460	SPRING, IDLER	10	1
12	410490	SPRING, WIRE HARNESS	10	2
13	N 33002465	BASE, (LWR)----NA	10	1
13	33002816	BASE (UPR)	10	1
14	Y052740	NUT	10	4
15	22003544	ADJUSTABLE LEG W/FOOT & NUT	10	4
16	210684	FOOT, RUBBER	10	4

*Color Code (-)=Not Shown #=Series, Serial Prefix or Run No., N=Not Available

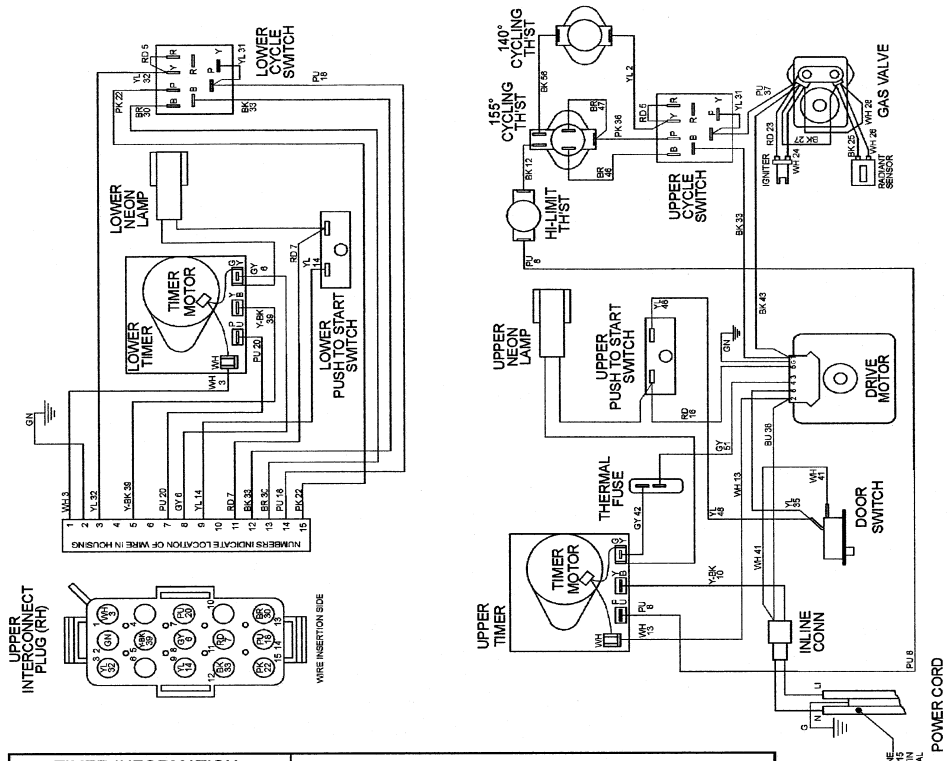
Section: SUPPLEMENTAL INFORMATION

No.	Part No.	Description	Series	Qty
-	33002085	WIRE HARNESS, MAIN	10	1
-	33002535	V-BELT (TUMBLER)	10	1
-	33002832	HARNESS, WIRE UPPER GAS MN	10	1
-	33002903	INSTRUCTIONS, OPERATING	10	1
-	33002902	INSTRUCTIONS, INSTALLATION	10	1

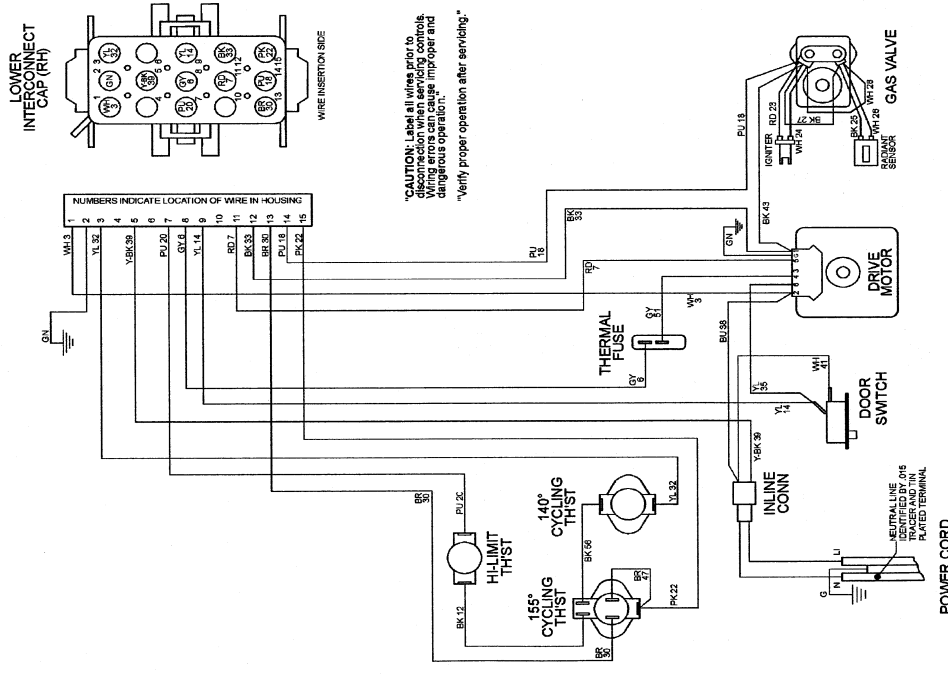
*Color Code (-)=Not Shown #=Series, Serial Prefix or Run No., N=Not Available

Section: WIRING INFORMATION(GAS)

Model: MLG23MNFWW



UPPER DRYER-MN
WIRING CONNECTION DIAGRAM



LOWER DRYER-MN
WIRING CONNECTION DIAGRAM

CAUTION: Label all wires prior to disconnection. Wiring errors can cause improper and dangerous operation.
Verify proper operation after servicing.

Section: WIRING INFORMATION(GAS)

No.	Part No.	Description	Series Qty
1	N 15003167	WIRING INFORMATION	10 1

*Color Code (-)=Not Shown #=Series, Serial Prefix or Run No., N=Not Available

