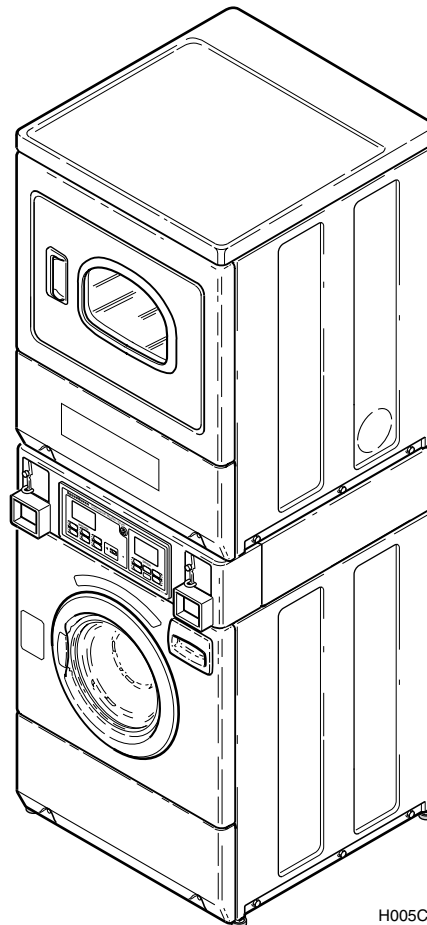


Commercial Front Control Stacked Washer/ Dryer

See Page 2 for Model Numbers



H005C

Table of Contents

(Washer)

Title	Page
Parts Ordering Information	W-2
Nameplate Location	W-2
Model Identification	W-2
Control Panel and Controls	W-4
Control Cabinet Controls	W-6
Control Cabinet and Coin Drop	W-8
Control Cabinet and Card Reader	W-10
Front Panel, Door Assembly and Door Seal	W-12
Dispenser Assembly	W-14
Mixing Valve, Inlet Hose and Dispenser Hose	W-16
Outer Tub, Front, Clamp Ring and Inner Basket	W-18
Bearing Housing Assembly and Pulley	W-20
Motor and Belt	W-22
Hoses and Pump	W-24
Base, Side Panels and Rear Panel	W-26
Shipping Materials	W-28
Labels	W-30
Power Cord, Wire Ties and Harness Clips	W-32
Wire Harnesses and Wires	W-34
Parts Index	W-35

© Copyright 1999, Alliance Laundry Systems LLC

All rights reserved. No part of the contents of this book may be reproduced or transmitted in any form or by any means without the expressed written consent of the publisher.

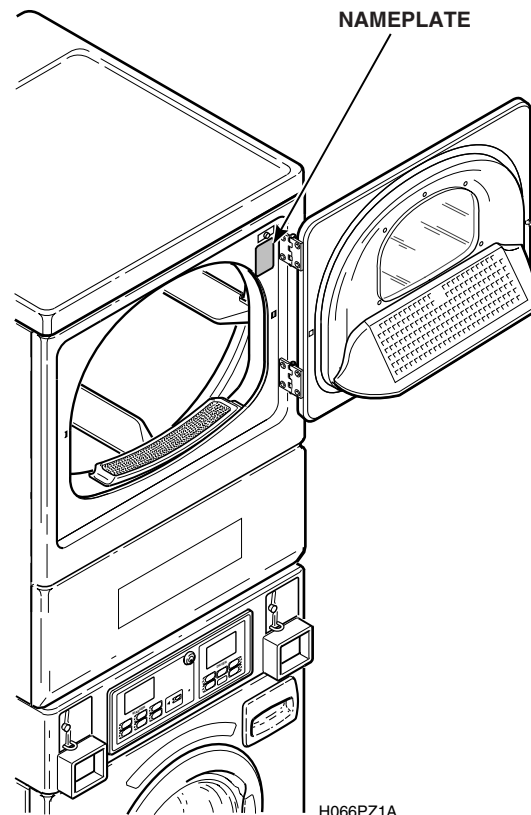
Parts Ordering Information

If literature or replacement parts are required, contact the source from whom the machine was purchased or contact Alliance Laundry Systems at (920) 748-3950 for the name and address of the nearest authorized parts distributor.

For technical assistance, call (920) 748-3121.

Nameplate Location

When calling or writing about your product, be sure to mention model and serial numbers. Model and serial numbers are located on nameplate(s) as shown.



H066PZ1A

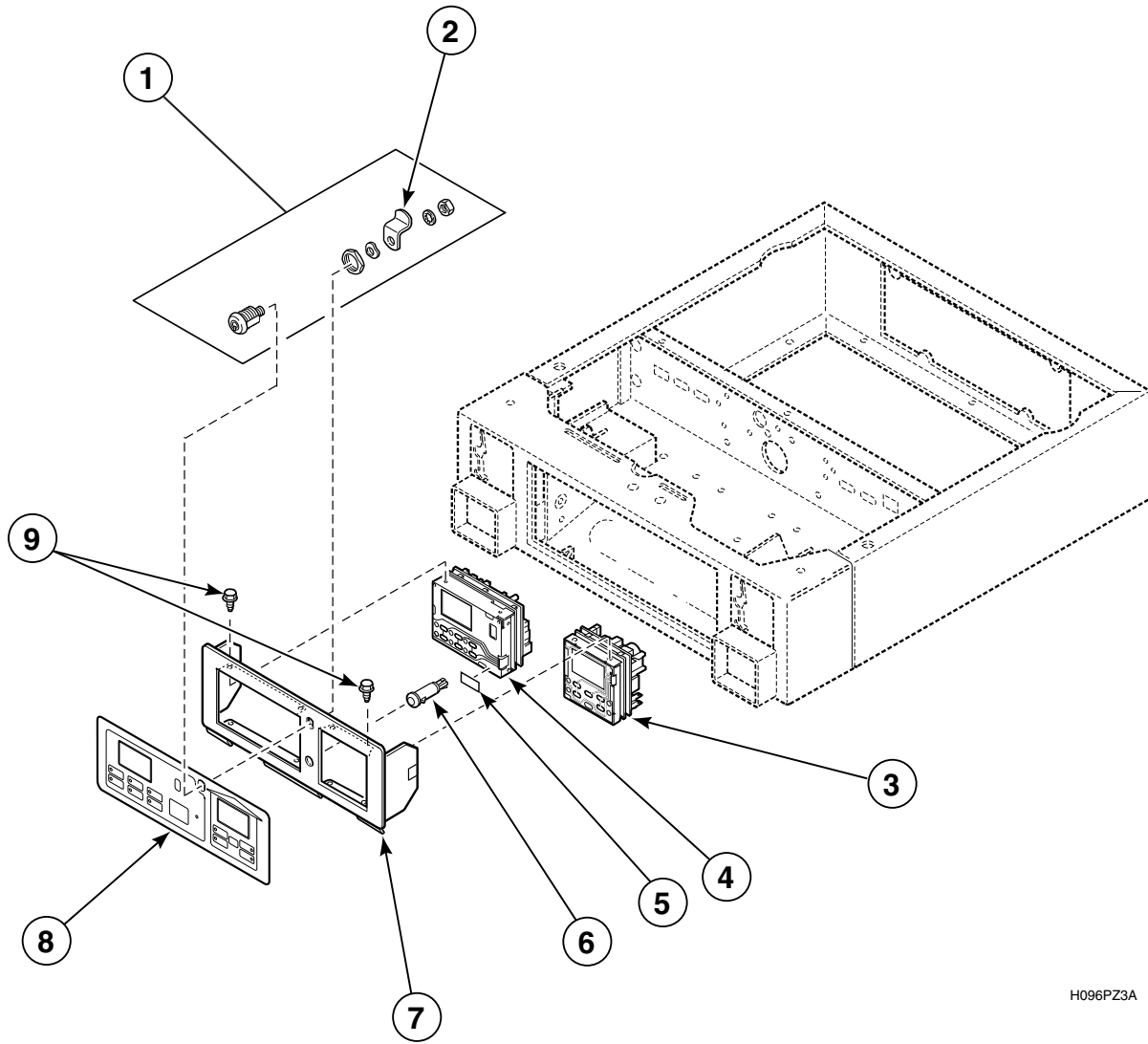
Model Identification

Information in this manual is applicable to these models.

Model Number	Coin Drop	Card Reader	Electronic Control	Electric Heat	Gas Heat
STE517*E	X		X	X	
STG519*E	X		X		X
STE717*E		X	X	X	
STG719*E		X	X		X

* Add Letter To Designate Color. L – Almond W – White

Control Panel and Controls



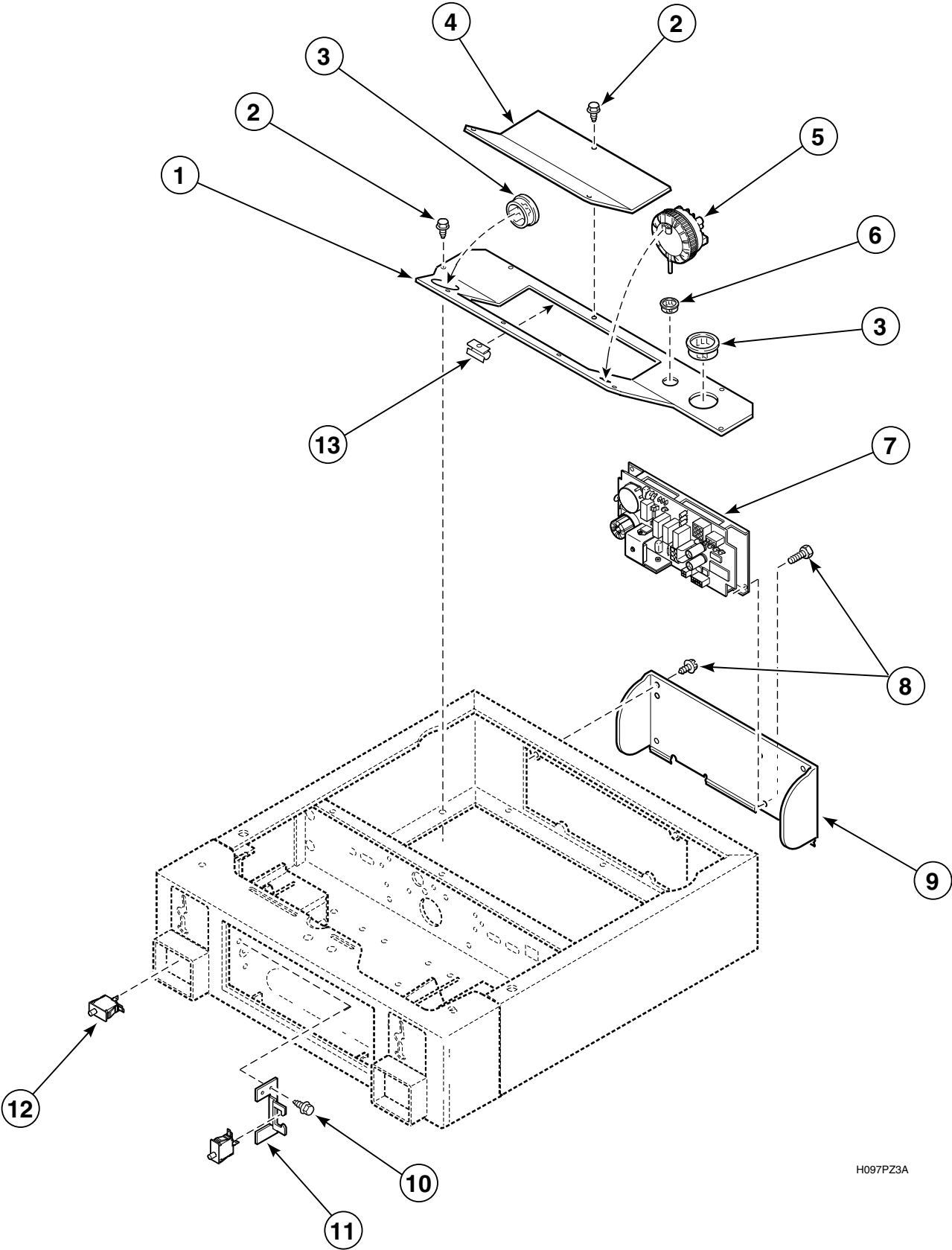
H096PZ3A

Control Panel and Controls

REF	PART #	DESCRIPTION	COMMENTS
1	27260	Lock Assembly	
2	27261	Cam	
3	M414050P	Electronic Control - Dryer	
4	800303P	Electronic Control - Washer	
5	800373	Keypad Protector	
6	32464	Indicator Light	
7	505507*	Control Panel	
8	505617	Control Panel Overlay	
9	501524	Screw	

* Add Letter To Designate Color. L – Almond W – White

Control Cabinet Controls



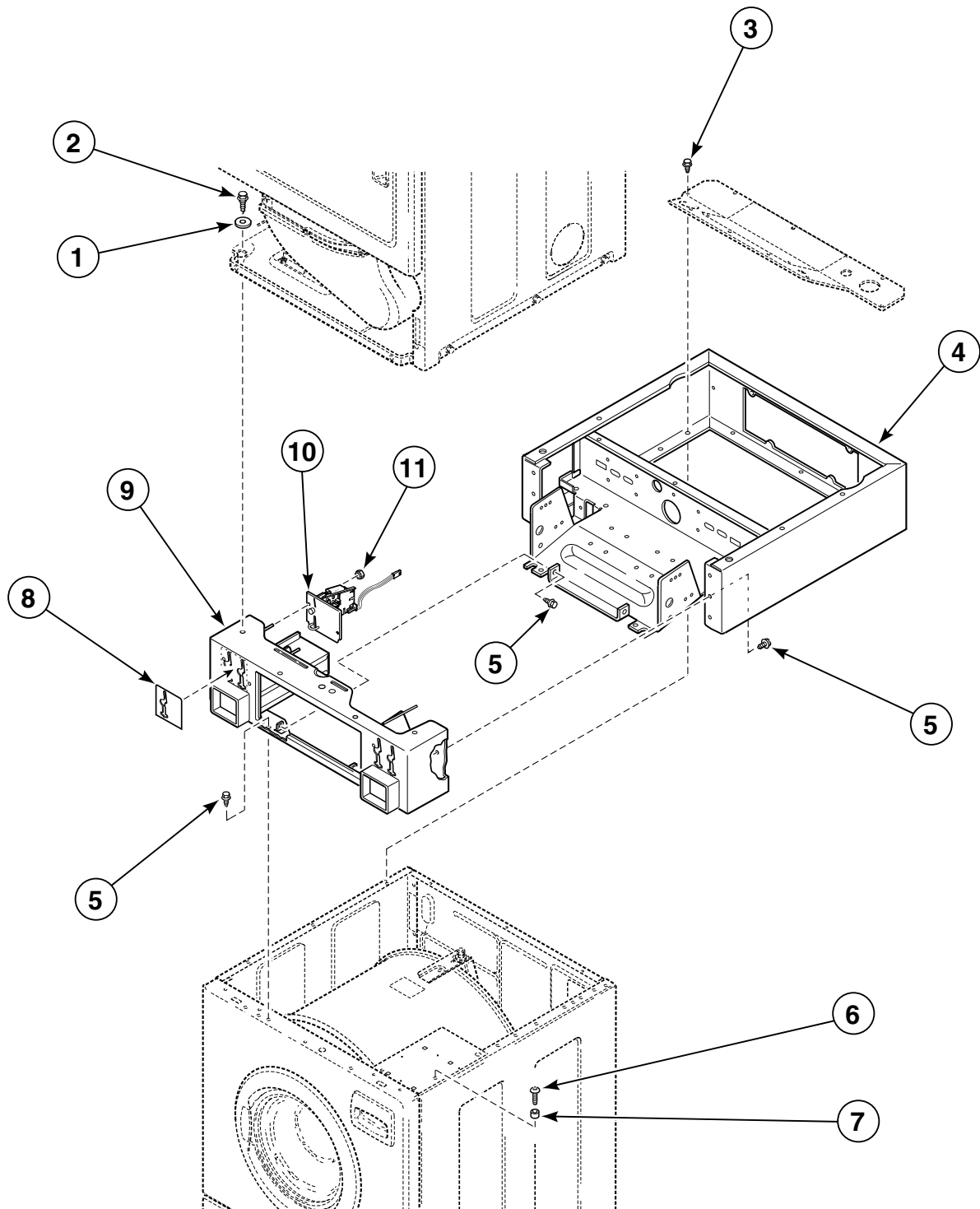
H097PZ3A

Control Cabinet Controls

REF	PART #	DESCRIPTION	COMMENTS
1	800063	Control Shield	
2	503661	Screw	
3	503235	Bushing	
4	800066	Service Door	
5	800468	Pressure Switch	
6	M402542	Bushing	
7	687539P	Motor Control Board	
8	501524	Screw	
9	800177	Rear Access Panel	
10	503688	Screw	
11	38087	Bracket	
12	504570	Switch	
13	36985	Clip	

Control Cabinet and Coin Drop

(Models STE517*E and STG519*E)



H063PZ3A

* Add Letter To Designate Color. L – Almond W – White

Control Cabinet and Coin Drop

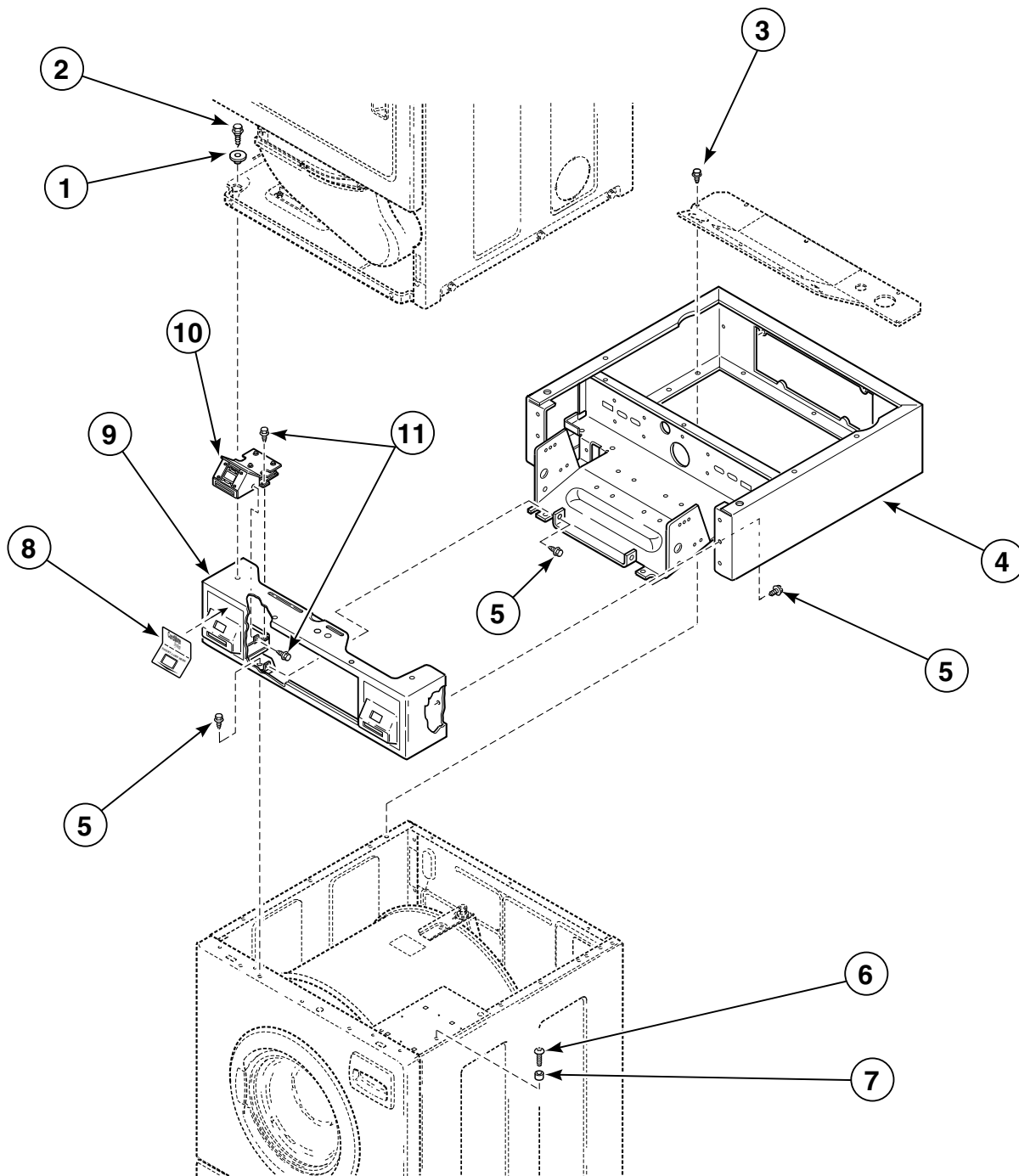
(Models STE517*E and STG519*E)

REF	PART #	DESCRIPTION	COMMENTS
1	501307	Shoulder Washer	
2	36048	Screw	
3	503661	Screw	
4	800050*	Control Cabinet Wrapper	
5	503688	Screw	
6	32671	Screw	
7	56079	Panel Locator	
8	38717	Overlay	
9	503761*	Control Cabinet Front	
10	38479	Coin Drop	
11	29786	Locknut	

* Add Letter To Designate Color. L – Almond W – White

Control Cabinet and Card Reader

(Models STE717*E and STG719IE)



H064PZ3A

* Add Letter To Designate Color. L – Almond W – White

Control Cabinet and Card Reader

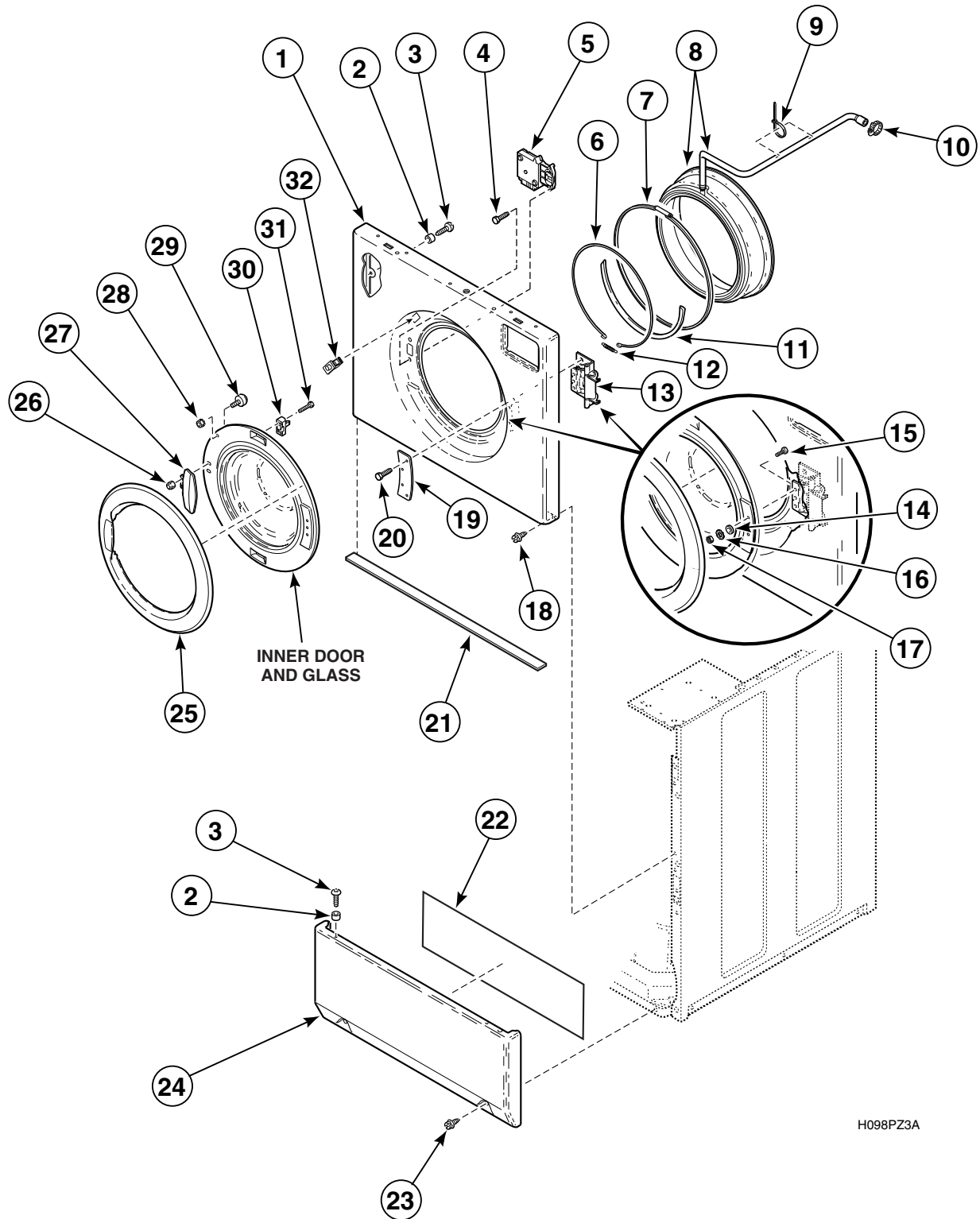
(Models STE717*E and STG719IE)

REF	PART #	DESCRIPTION	COMMENTS
1	501307	Shoulder Washer	
2	36048	Screw	
3	503661	Screw	
4	800050*	Control Cabinet Wrapper	
5	503688	Screw	
6	32671	Screw	
7	56079	Panel Locator	
8	38192	Instruction Label	
9	503428*	Control Cabinet Front	
10	39685	Card Reader	
11	501524	Screw	

* Add Letter To Designate Color. L – Almond W – White

Front Panel, Door Assembly and Door Seal

(Washer)



Front Panel, Door Assembly and Door Seal

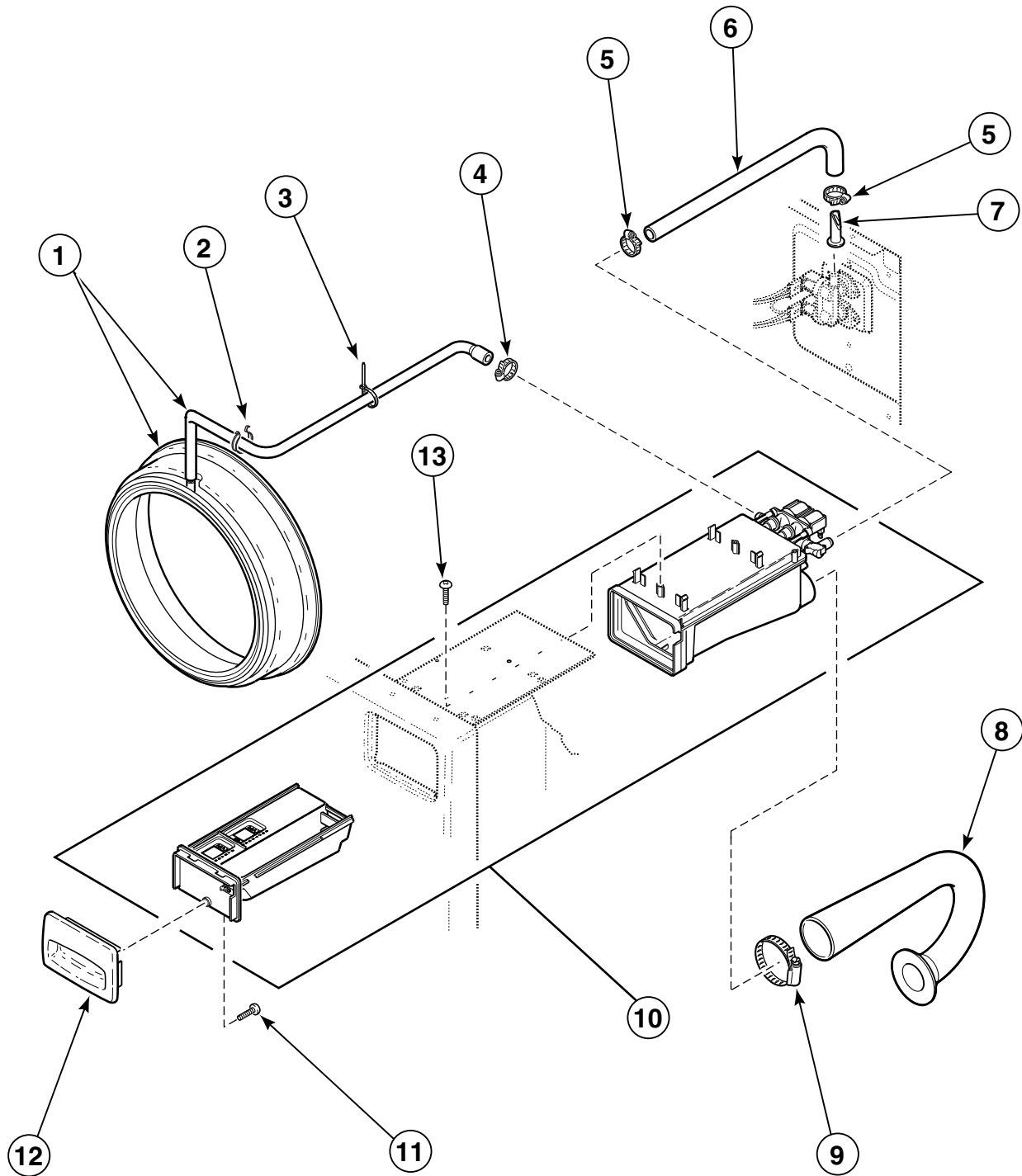
(Washer)

REF	PART #	DESCRIPTION	COMMENTS
	685081*	Door Assembly	Includes items 25, 26, 27, 30, 31 and inner door and glass
1	800245*	Front Panel	
2	56079	Panel Locator	
3	32671	Screw	
4	685829	Screw	
5	685429	Door Latch/Switch Assembly	
6	685427	Wire Clamp Ring	
7	685743	Door Seal Clamp	
8	800232	Door Seal Assembly	
9	55881	Wire Tie	
10	36801	Hose Clamp	
11	685389	Foam Tape	Front Panel Door Opening
12	685465	Spring	
13	685460	Hinge Assembly	
14	35917	Washer	
15	02916	Cap Screw	
16	M400017	Lockwasher	
17	52566	Locknut	
18	503661	Screw	
19	685470	Hinge Plate	
20	685862	Screw	
21	685366	Foam Tape	One inch by 26 inches
22	685368	Pad	
23	33562	Screw	Hex Head
	62853	Screw	Torx Head - for security
24	510069*	Lower Access Panel	
25	685400*	Door Bezel	
26	685846	Locknut	
27	685438	Door Handle	
28	23951	Locknut	
29	800233	Bumper	
30	685430	Catch	
31	685836	Screw	
32	800211	Door Switch	

* Add Letter To Designate Color. L – Almond W – White

Dispenser Assembly

(Washer)



H076PZ3A

Dispenser Assembly

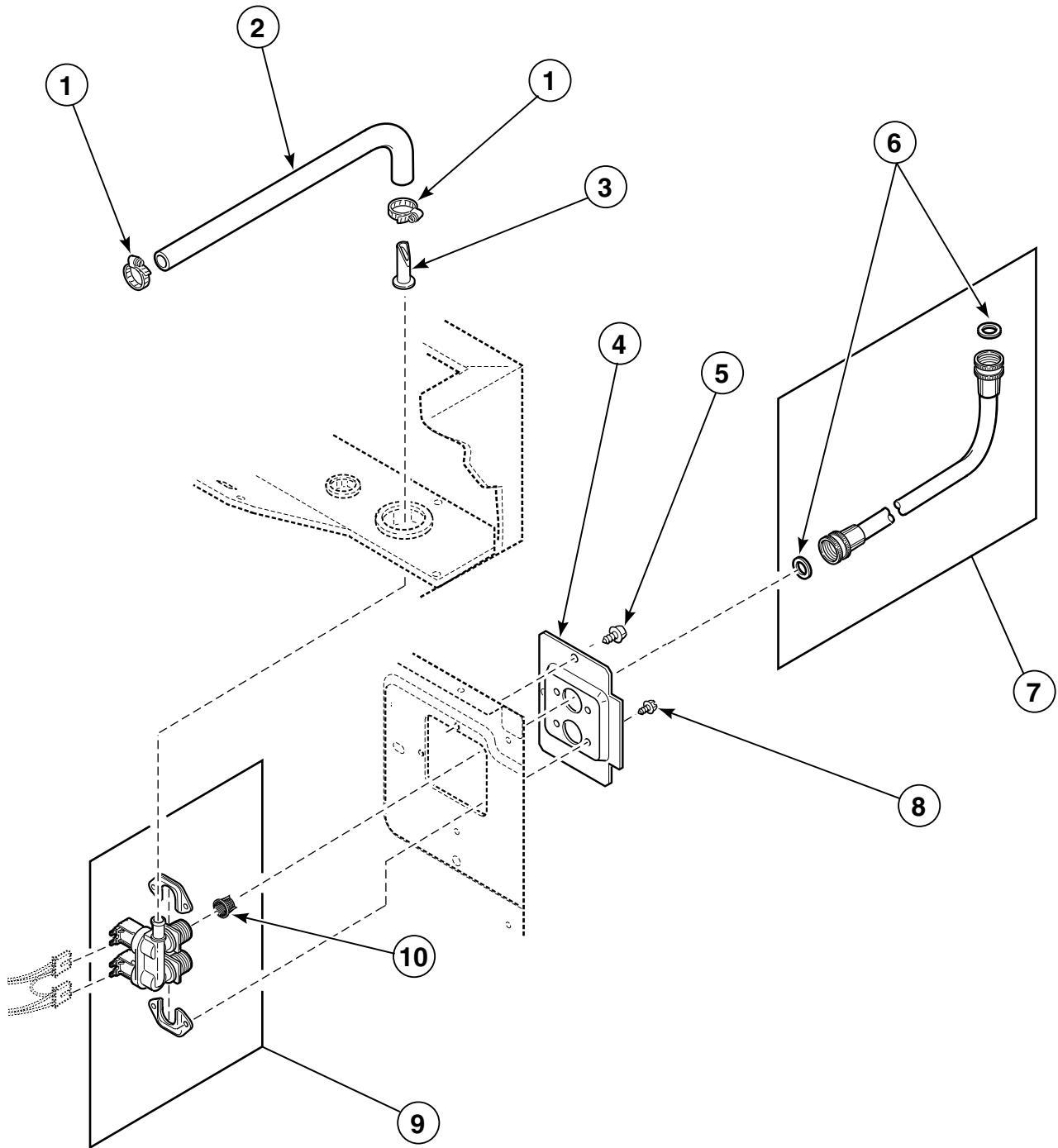
(Washer)

REF	PART #	DESCRIPTION	COMMENTS
1	800232	Door Seal Assembly	
2	687500	Wire Clip	
3	55881	Wire Tie	
4	36801	Hose Clamp	
5	685753	Hose Clamp	
6	685754	Dispenser Inlet Hose	
7	34500	Backflow Preventer	
8	685787	Detergent Hose	
9	685725	Hose Clamp	
10	685756	Dispenser and Valve Housing Assembly	
11	685829	Screw	
12	685715*	Dispenser Drawer Front	
13	685830	Screw	

* Add Letter To Designate Color. L – Almond W – White

Mixing Valve, Inlet Hose and Dispenser Hose

(Washer)



H099PZ3A

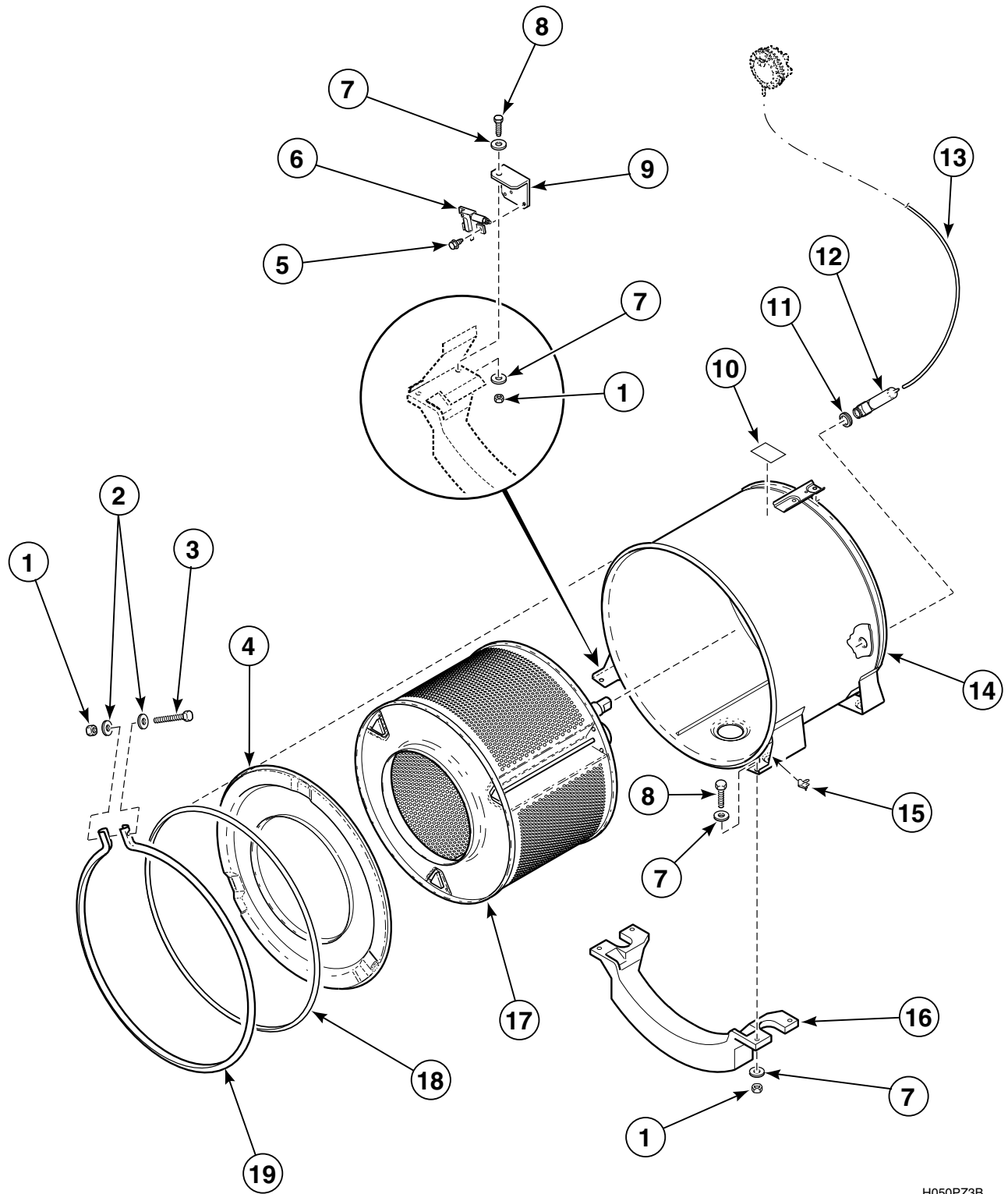
Mixing Valve, Inlet Hose and Dispenser Hose

(Washer)

REF	PART #	DESCRIPTION	COMMENTS
1	685753	Hose Clamp	
2	685754	Dispenser Hose	
3	34500	Backflow Preventer	
4	685380	Mixing Valve Plate	
5	503661	Screw	
6	20290	Hose Washer	
7	28330P	Inlet Hose Assembly	
8	501086	Screw	
9	685707	Mixing Valve	
10	F270200	Inlet Screen	

Outer Tub, Front, Clamp Ring and Inner Basket

(Washer)



H050PZ3B

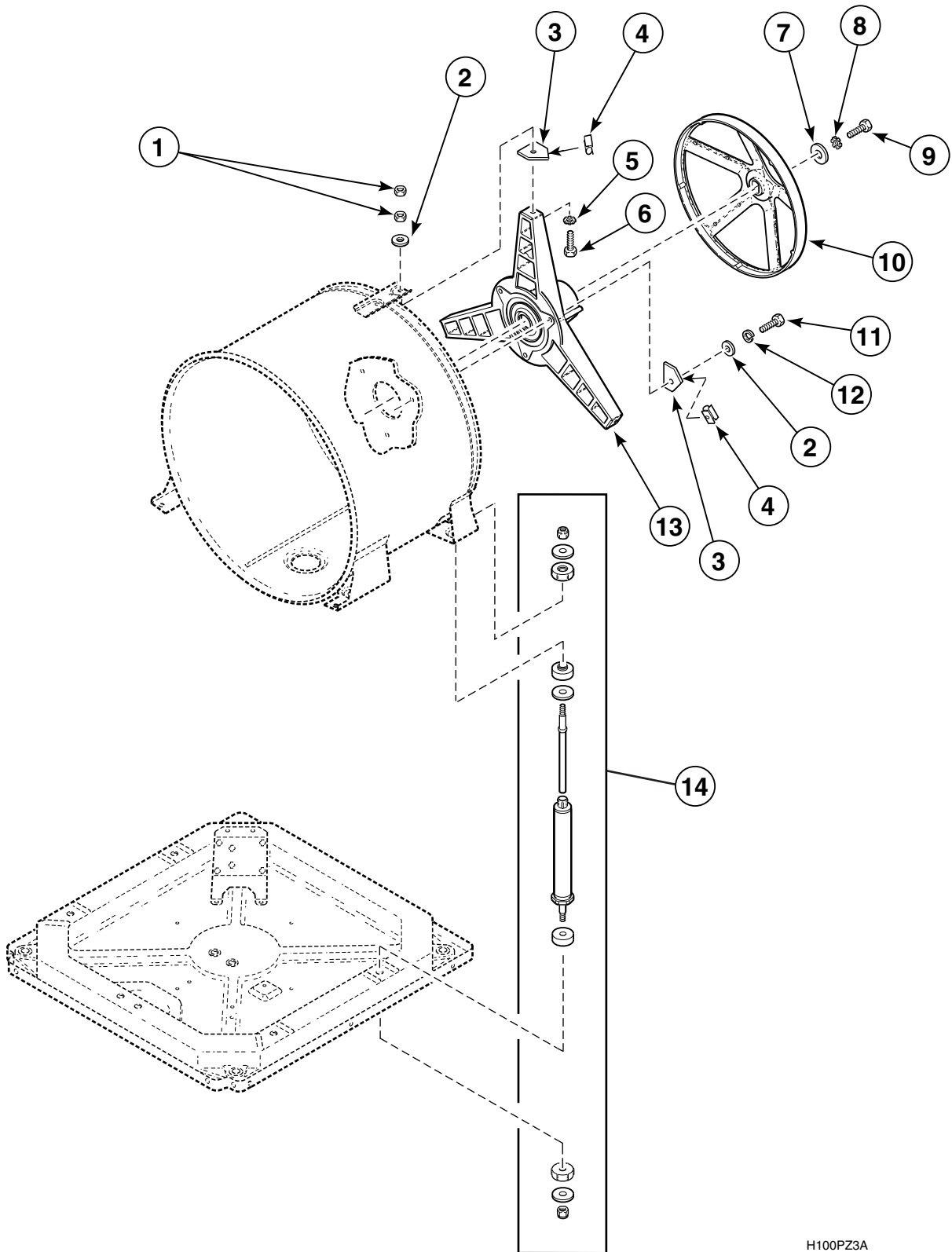
Outer Tub, Front, Clamp Ring and Inner Basket

(Washer)

REF	PART #	DESCRIPTION	COMMENTS
1	685845	Locknut	
2	685812	Flat Washer	
3	685842	Screw	
4	685069	Outer Tub Front Assembly	
5	503661	Screw	
6	600047	Out-of-Balance Switch	
7	M400081	Washer	
8	685841	Screw	
9	600046	Mounting Bracket	
10	500049	Warning Label	
11	29175	Grommet	
12	30907	Pressure Bulb	
13	685746	Pressure Hose	
14	685150	Outer Tub	
15	00161	Ground Clip	
16	685649	Ballast Weight	
17	800429	Inner Basket	
18	685123	Seal	
19	685120	Clamp Ring	

Bearing Housing Assembly and Pulley

(Washer)



H100PZ3A

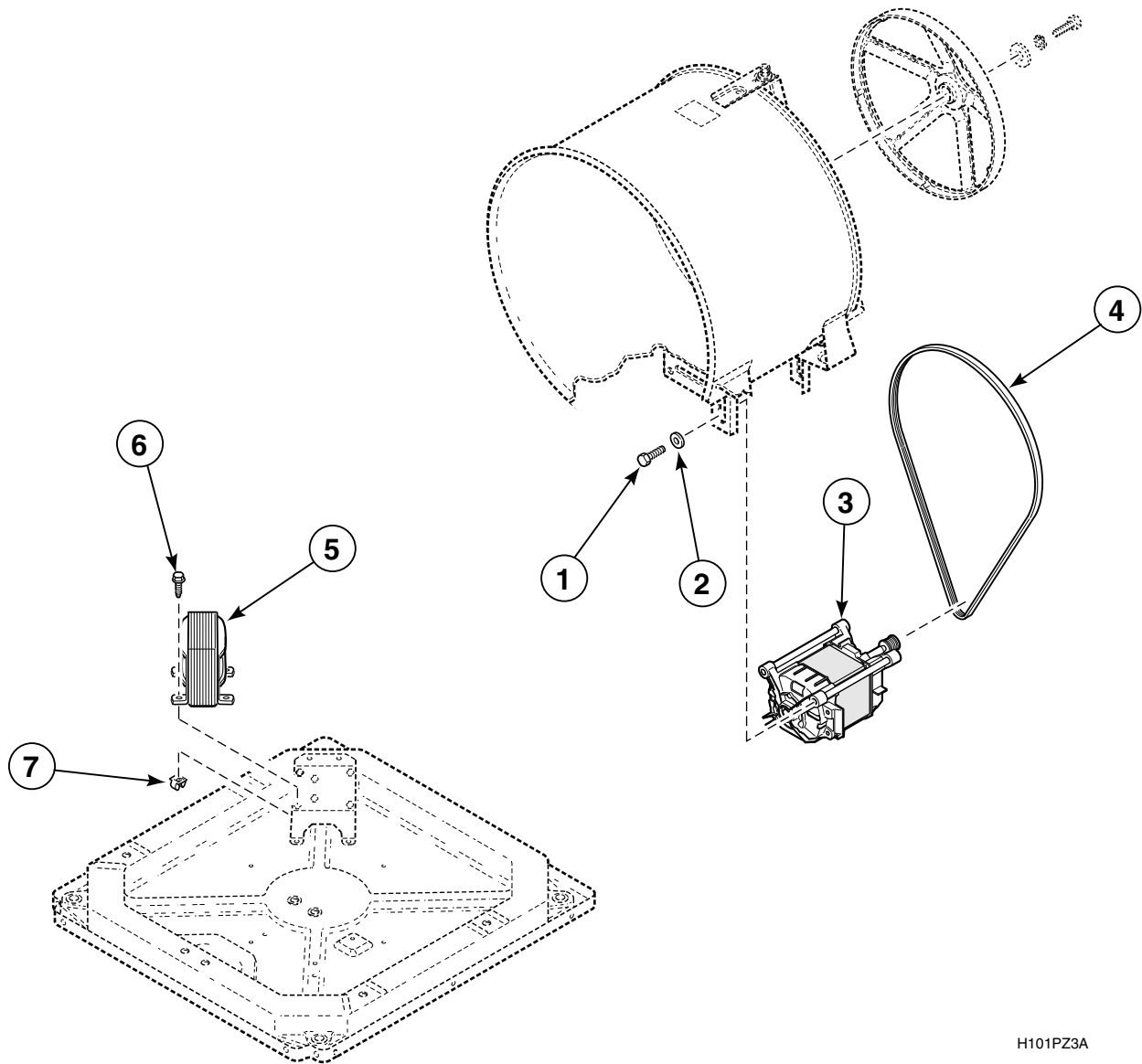
Bearing Housing Assembly and Pulley

(Washer)

REF	PART #	DESCRIPTION	COMMENTS
	685606P	Never Seeze	Pulley to inner basket shaft
1	685845	Locknut	
2	M400081	Washer	
3	800074	Mounting Plate	
4	36985	Clip	
5	M403958	Lockwasher	
6	685841	Screw	
7	685813	Flat Washer	
8	M403958	Lockwasher	
9	685831	Screw	Left Hand Thread
10	685612	Pulley	
11	20255	Screw	
12	M400014	Lockwasher	
13	685001	Bearing Housing Assembly	
14	685635	Shock Absorber Assembly	

Motor and Belt

(Washer)



H101PZ3A

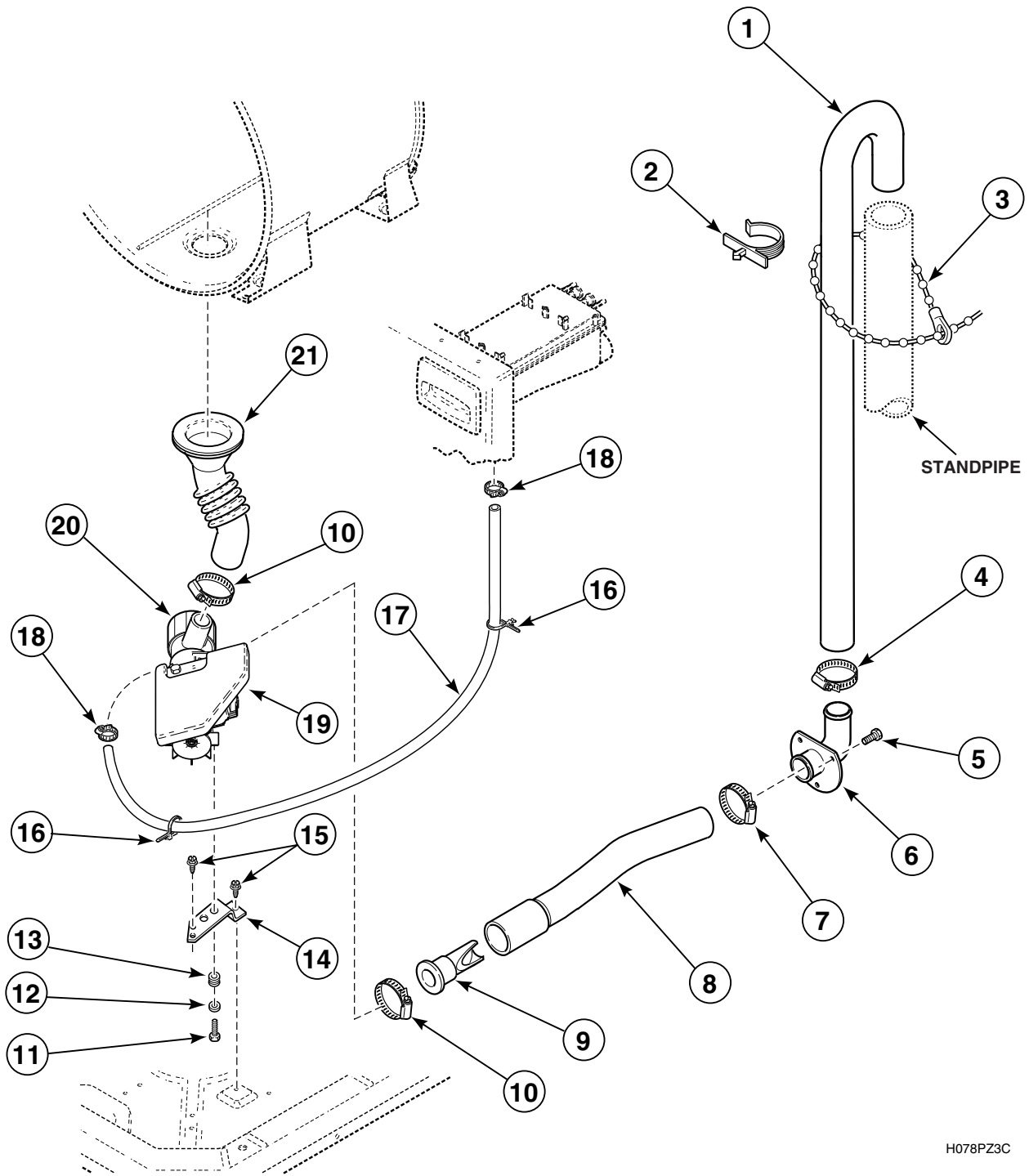
Motor and Belt

(Washer)

REF	PART #	DESCRIPTION	COMMENTS
1	685839	Screw	
2	M400080	Flat Washer	
3	685639	Motor Assembly	230 Volt
4	685616	Belt	
5	686513	Transformer	
6	M411072	Screw	
7	70030501	Expansion Clip	

Hoses and Pump

(Washer)



H078PZ3C

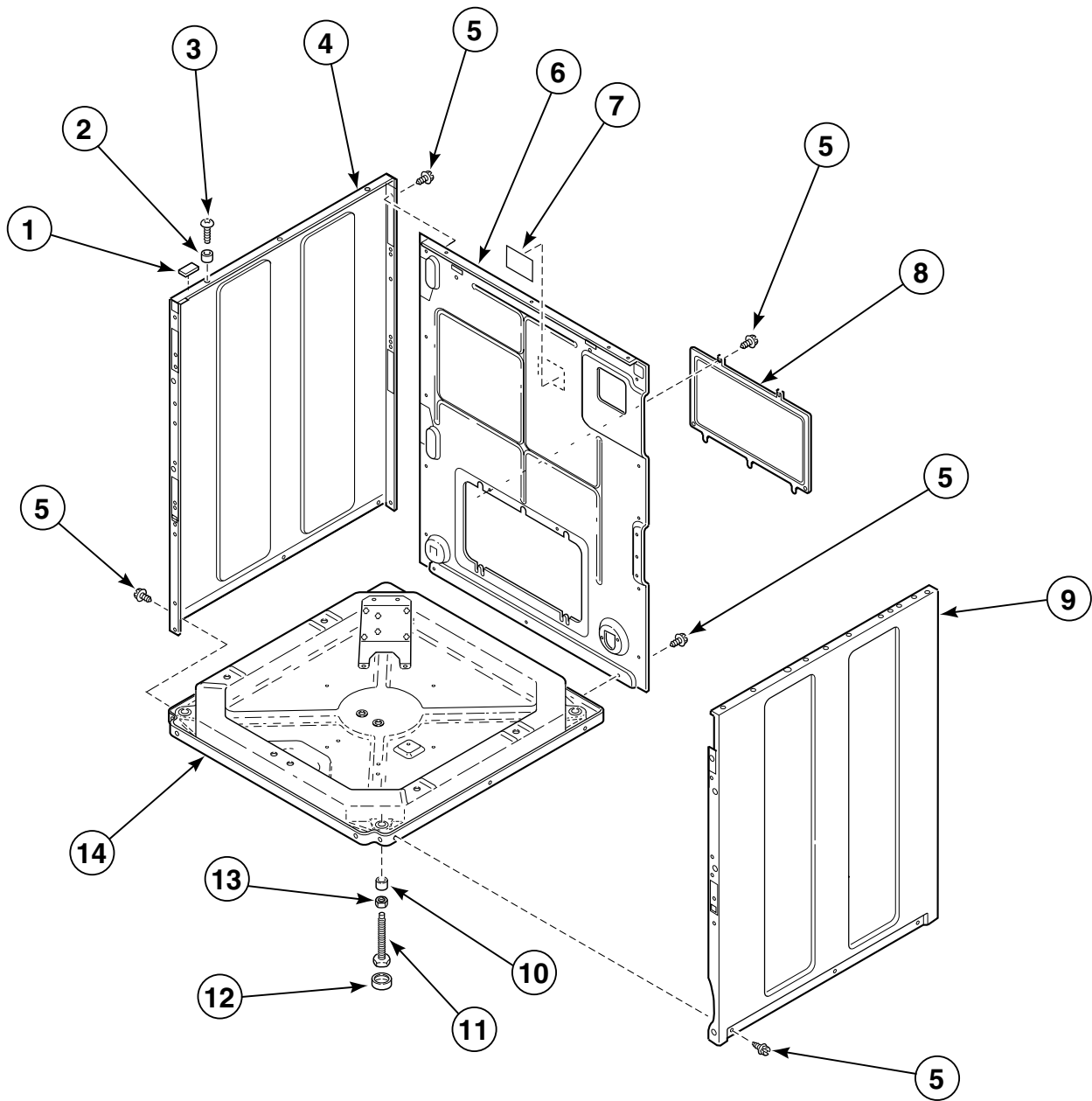
Hoses and Pump

(Washer)

REF	PART #	DESCRIPTION	COMMENTS
	27615P	Sealant	Tub-to-Pump Hose to Outer Tub
1	27154	Drain Hose	
2	39177	Retainer Clip	
3	33489	Beaded Strap	
4	20211	Hose Clamp	
5	52909	Screw	
6	36990	Elbow	
7	20391	Hose Clamp	
8	685737	Pump-to-Elbow Hose	
9	685769	Backflow Preventer	
10	36802	Hose Clamp	
11	38096	Screw	
12	685849	Washer	
13	685834	Grommet	
14	685705	Mounting Bracket	
15	503661	Screw	
16	38663	Wire Tie	
17	800424	Vent Hose Assembly	
18	36801	Hose Clamp	
19	38067	Shield	
20	685703	Drain Pump	
21	36802	Hose Clamp	
22	685700	Outer Tub-to-Pump Hose	

Base, Side Panels and Rear Panel

(Washer)



H102PZ3A

Base, Side Panels and Rear Panel

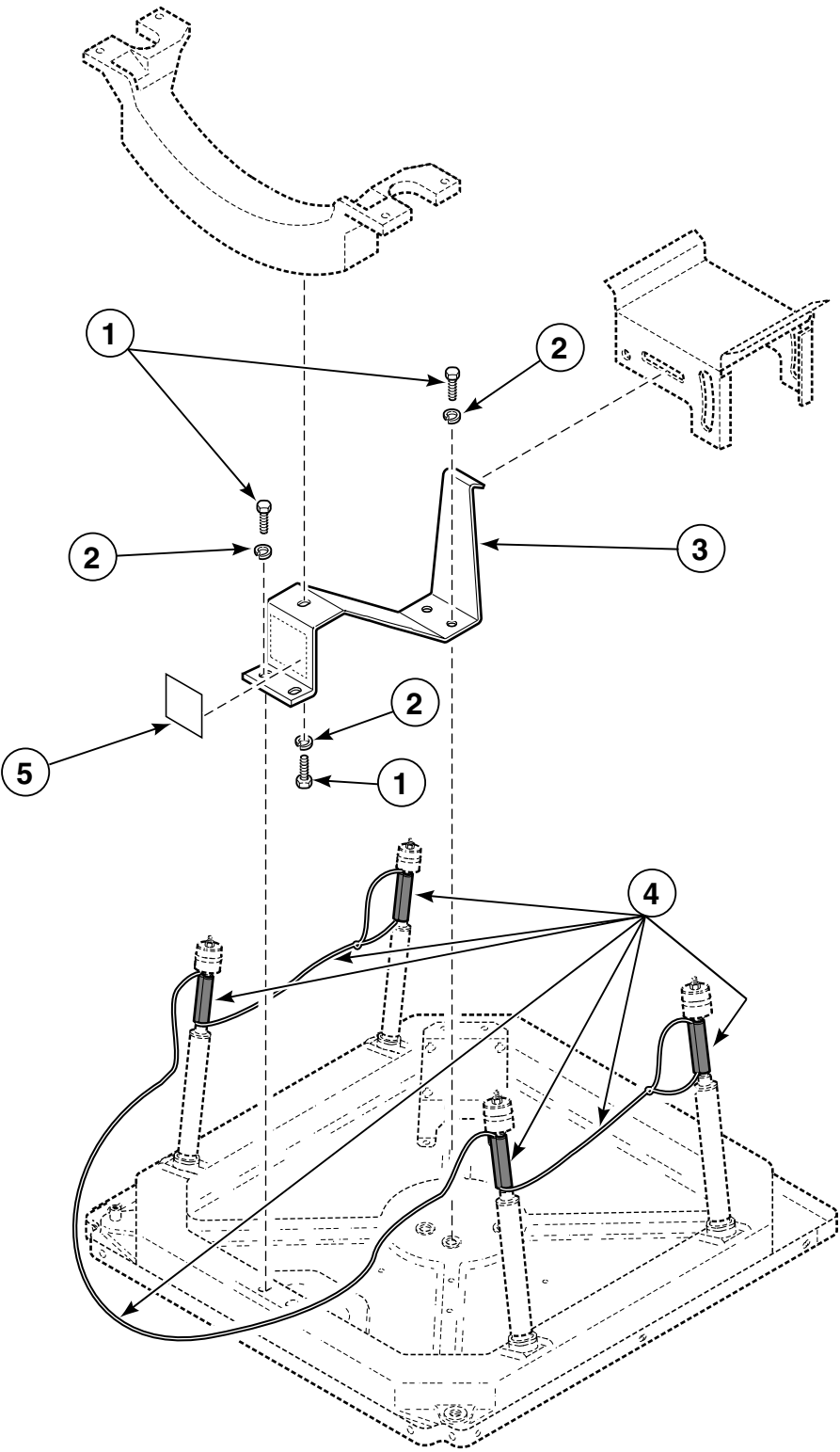
(Washer)

REF	PART #	DESCRIPTION	COMMENTS
1	56128	Bumper	
2	56079	Panel Locator	
3	32671	Screw	
4	800004*P	Side Panel	Left—Includes 732P3 Gusset Kit with Hardware
5	503661	Screw	
6	800010*P	Rear Panel	Includes 732P3 Gusset Kit with Hardware
7	685928	Label	Left Hand Thread
8	800011	Rear Access Panel	
9	800005*P	Side Panel	Right—Includes 800242 Dispenser Plate with Hardware and 547P3 Meter Case Mounting Bracket with Hardware
10	800015	Spacer	
11	800014	Leveling Leg	
12	70282	Rubber Foot	
13	20274	Nut	
14	800083	Base	

* Add Letter To Designate Color. L – Almond W – White

Shipping Materials

(Washer)



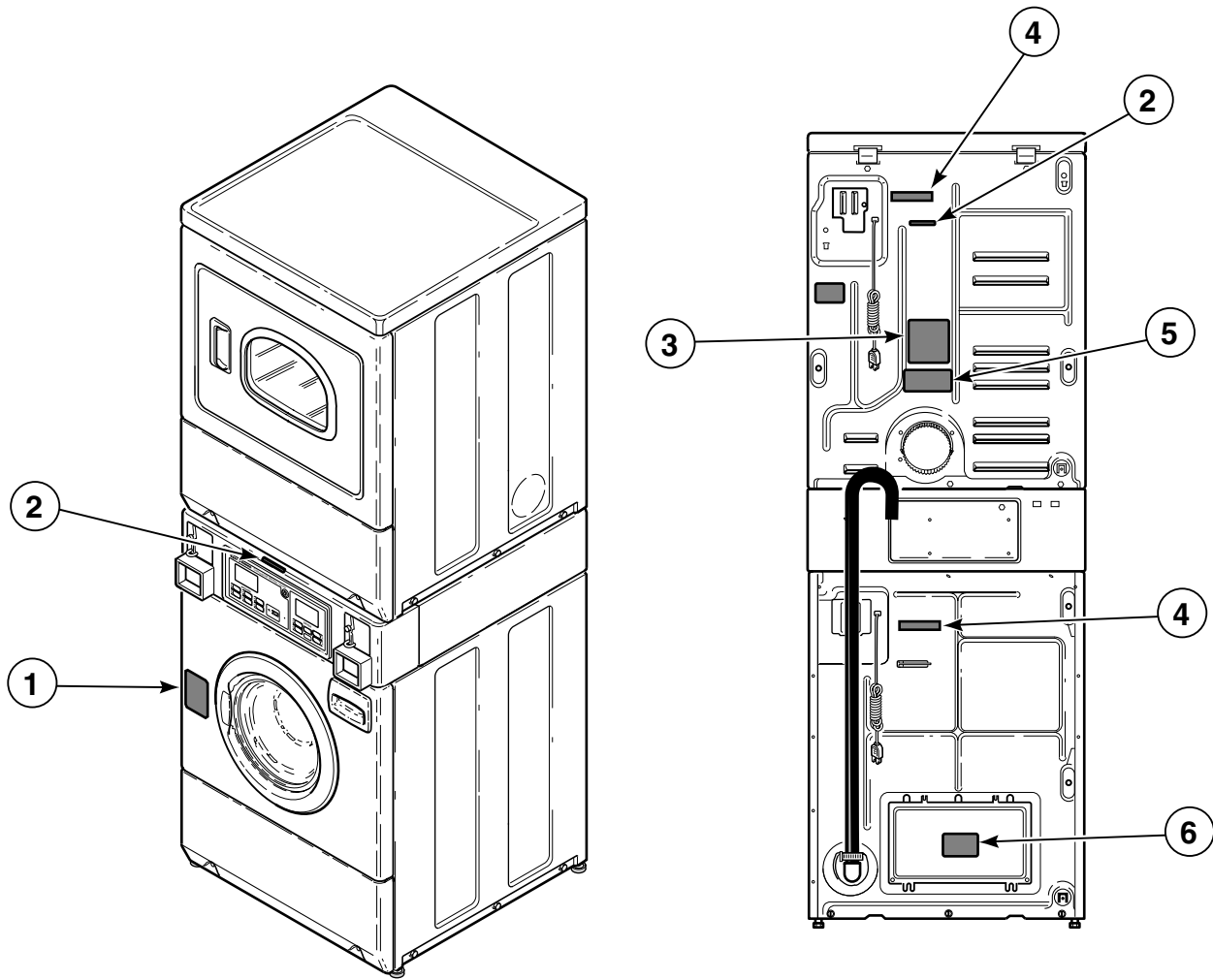
H055PZ3B

Shipping Materials

(Washer)

REF	PART #	DESCRIPTION	COMMENTS
	728P3	Shipping Brace Kit	Includes all items 1 through 5
1	685840	Screw	
2	M400014	Lockwasher	
3	685911	Shipping Bracket	
4	800364	Suspension Brace	
5	686901	Instruction Label	

Labels

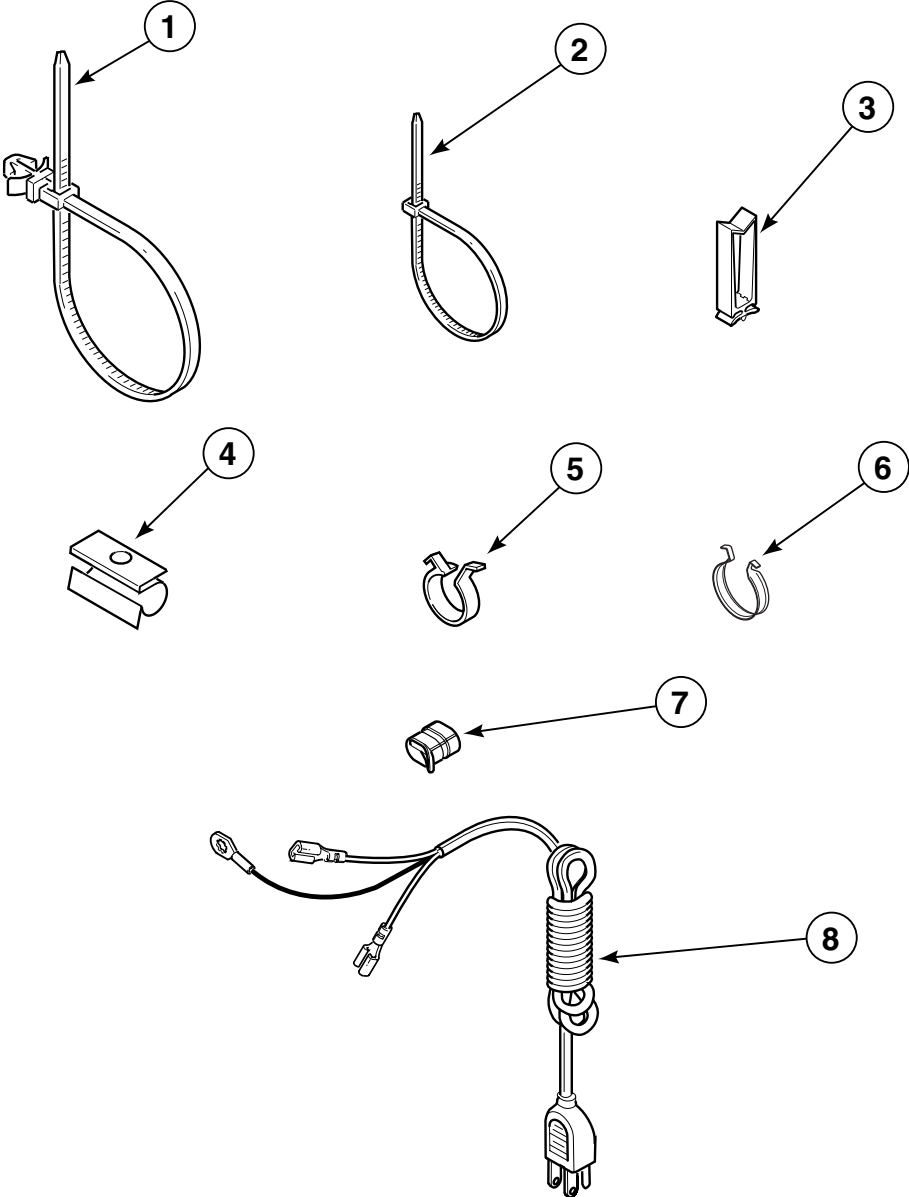


H103PZ3A

Labels

REF	PART #	DESCRIPTION	COMMENTS
1	685947	Label	
2	58186	Label	
3	502790	Label	
4	505281	Label	
5	500497	Label	
6	500049	Label	

Power Cord, Wire Ties and Harness Clips



H089PZ3A

Power Cord, Wire Ties and Harness Clips

REF	PART #	DESCRIPTION	COMMENTS
1	38663	Wire Tie	
2	55881	Wire Tie	
3	36274	Harness Clip	
4	36985	Clip	
5	504034	Wire Clip	Small
6	687500	Wire Clip	Large
7	38384	Strain Relief	
8	34458	Power Cord	

Wire Harnesses and Wires

Individual wires are not available separately. Order complete wire harness, or order wire by the foot. See chart at bottom of page.

MODEL NUMBER	WASHER MOTOR HARNESS	WASHER BASE HARNESS	WASHER CONTROL HARNESS	WASHER CARD READER HARNESS	DRYER MAIN HARNESS
STE517*E	687579	687574	687585	—	505099
STG519*E	687579	687574	687585	—	504722
STE717*E	687579	687574	600059	686581	505099
STG719*E	687579	687574	600059	686581	504722

* Add Letter To Designate Color. L – Almond W – White

Order the individual wire color and gauge by the part number listed below. Order wire by the foot and terminals and connectors as required. It is recommended when applying terminals to wires that the terminals be soldered to the wires.

IMPORTANT: Always replace wires with proper gauge.

PART NUMBER	WIRE GAUGE	WIRE COLOR
45001	18 Gauge Wire	Black
45380	12 Gauge Wire	Orange

Parts Index

(Washer)

B

Backflow Preventer	
34500	W-15, W-17
685769	W-25
Ballast Weight	
685649	W-19
Base	
800083	W-27
Base Harness, Washer	
687574	W-34
Beaded Strap	
33489	W-25
Bearing Housing Assembly	
685001	W-21
Belt	
685616	W-23
Bracket	
38087	W-7
Bumper	
56128	W-27
800233	W-13
Bushing	
M402542	W-7
503235	W-7

C

Cam	
27261	W-5
Cap Screw	
02916	W-13
Card Reader	
39685	W-11
Card Reader Harness, Washer	
686581	W-34
Catch	
685430	W-13
Clamp Ring	
685120	W-19
Clip	
36985	W-7, W-21, W-33
Coin Drop	
38479	W-9
Control Cabinet Front	
503428*	W-11
503761*	W-9
Control Cabinet Wrapper	
800050*	W-9, W-11
Control Harness, Washer	
600059	W-34
687585	W-34
Control Panel	
505507*	W-5
Control Panel Overlay	
505617	W-5
Control Shield	
800063	W-7

D

Detergent Hose	
685787	W-15
Dispenser and Valve Housing Assembly	
685756	W-15
Dispenser Drawer Front	
685715*	W-15
Dispenser Hose	
685754	W-17
Dispenser Inlet Hose	
685754	W-15
Door Assembly	
685081*	W-13
Door Bezel	
685400*	W-13
Door Handle	
685438	W-13
Door Latch/Switch Assembly	
685429	W-13
Door Seal Assembly	
800232	W-13, W-15
Door Seal Clamp	
685743	W-13
Door Switch	
800211	W-13
Drain Hose	
27154	W-25
Drain Pump	
685703	W-25

E

18 Gauge Wire	
45001	W-34
Elbow	
36990	W-25
Electronic Control - Dryer	
M414050P	W-5
Electronic Control - Washer	
800303P	W-5
Expansion Clip	
70030501	W-23

F

Flat Washer	
M400080	W-23
685812	W-19
685813	W-21
Foam Tape	
685366	W-13
685389	W-13
Front Panel	
800245*	W-13

G

Grommet	
29175	W-19
685834	W-25
Ground Clip	
00161	W-19

H

Harness Clip	
36274	W-33
Hinge Assembly	
685460	W-13
Hinge Plate	
685470	W-13
Hose Clamp	
20211	W-25
20391	W-25
36801	W-13, W-15, W-25
36802	W-25
685725	W-15
685753	W-15, W-17
Hose Washer	
20290	W-17

I

Indicator Light	
32464	W-5
Inlet Hose Assembly	
28330P	W-17
Inlet Screen	
F270200	W-17
Inner Basket	
800429	W-19
Instruction Label	
38192	W-11
686901	W-29

K

Keypad Protector	
800373	W-5

L

Label	
500049	W-31
500497	W-31
502790	W-31
505281	W-31
58186	W-31
685928	W-27
685947	W-31
Leveling Leg	
800014	W-27
Lock Assembly	
27260	W-5

Locknut

23951	W-13
29786	W-9
52566	W-13
685845	W-19, W-21
685846	W-13

Lockwasher

M400014	W-21, W-29
M400017	W-13
M403958	W-21

Lower Access Panel

510069*	W-13
---------------	------

M

Main Harness, Dryer

504722	W-34
505099	W-34

Mixing Valve

685707	W-17
--------------	------

Mixing Valve Plate

685380	W-17
--------------	------

Motor Assembly

685639	W-23
--------------	------

Motor Control Board

687539P	W-7
---------------	-----

Motor Harness, Washer

687579	W-34
--------------	------

Mounting Bracket

600046	W-19
685705	W-25

Mounting Plate

800074	W-21
--------------	------

N

Never Seeze

685606P	W-21
---------------	------

Nut

20274	W-27
-------------	------

O

Outer Tub

685150	W-19
--------------	------

Outer Tub Front Assembly

685069	W-19
--------------	------

Outer Tub-to-Pump Hose

685700	W-25
--------------	------

Out-of-Balance Switch

600047	W-19
--------------	------

Overlay

38717	W-9
-------------	-----

P

Pad

685368	W-13
--------------	------

Panel Locator

56079	W-9, W-11, W-13, W-27
-------------	-----------------------

Power Cord	
34458	W-33
Pressure Bulb	
30907	W-19
Pressure Hose	
685746	W-19
Pressure Switch	
800468	W-7
Pulley	
685612	W-21
Pump-to-Elbow Hose	
685737	W-25

R

Rear Access Panel	
800011	W-27
800177	W-7
Rear Panel	
800010*P	W-27
Retainer Clip	
39177	W-25
Rubber Foot	
70282	W-27

S

Screw	
M411072	W-23
20255	W-21
32671	W-9, W-11, W-13, W-27
33562	W-13
36048	W-9, W-11
38096	W-25
501086	W-17
501524	W-5, W-7, W-11
503661 ...	W-7, W-9, W-11, W-13, W-17, W-19, W-25, W-27
503688	W-7, W-9, W-11
52909	W-25
62853	W-13
685829	W-13, W-15
685830	W-15
685831	W-21
685836	W-13
685839	W-23
685840	W-29
685841	W-19, W-21
685842	W-19
685862	W-13
Seal	
685123	W-19
Sealant	
27615P	W-25
Service Door	
800066	W-7
Shield	
38067	W-25
Shipping Brace Kit	
728P3	W-29
Shipping Bracket	
685911	W-29
Shock Absorber Assembly	
685635	W-21

800169

Shoulder Washer	
501307	W-9, W-11
Side Panel	
800004*P	W-27
800005*P	W-27
Spacer	
800015	W-27
Spring	
685465	W-13
Strain Relief	
38384	W-33
Suspension Brace	
800364	W-29
Switch	
504570	W-7

T

Transformer	
686513	W-23
12 Gauge Wire	
45380	W-34

V

Vent Hose Assembly	
800424	W-25

W

Warning Label	
500049	W-19
Washer	
M400081	W-19, W-21
35917	W-13
685849	W-25
Wire	
45001	W-34
45380	W-34
Wire Clamp Ring	
685427	W-13
Wire Clip	
504034	W-33
687500	W-15, W-33
Wire Harness	
504722	W-34
505099	W-34
600059	W-34
686581	W-34
687574	W-34
687579	W-34
687585	W-34
Wire Tie	
38663	W-25, W-33
55881	W-13, W-15, W-33

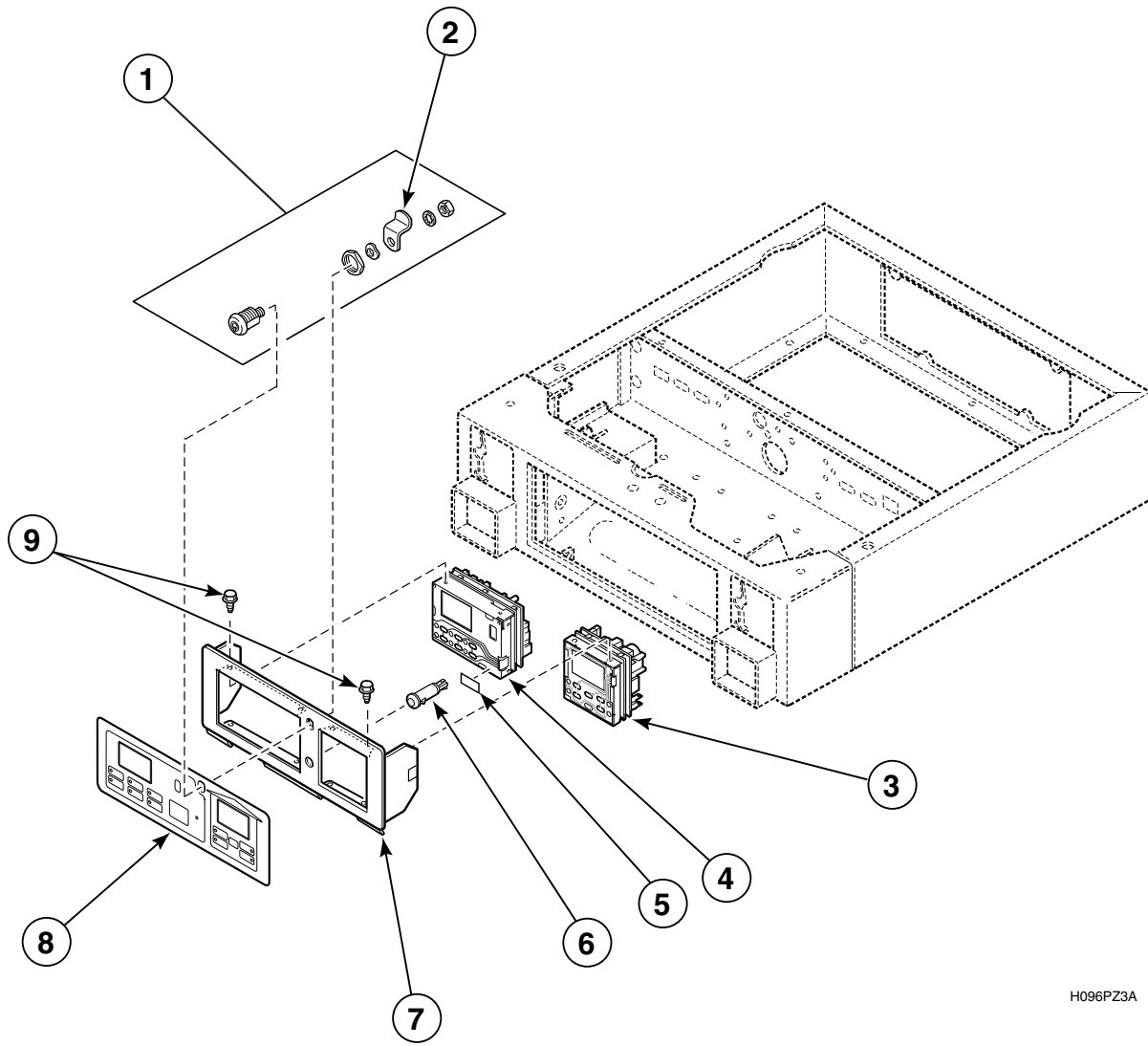
W-37

Table of Contents

(Dryer)

Title	Page
Parts Ordering Information	W-2
Nameplate Location	W-2
Model Identification	W-2
Control Panel and Controls	D-2
Control Cabinet Controls	D-4
Control Cabinet and Coin Drop	D-6
Control Cabinet and Card Reader	D-8
Loading Door with Window	D-10
Access Panel, Front Panel and Seal	D-12
Motor, Exhaust Fan and Belt	D-14
Front Bulkhead, Air Duct, Felt Seal and Cylinder	D-16
Rear Bulkhead, Felt Seal, Cylinder Roller and Terminal Block	D-18
Heater Duct and Element Assembly	D-20
Heater Duct Assembly	D-22
Gas Valve, Igniter and Gas Conversion Kits	D-24
Cabinet, Exhaust Duct and Base	D-26
Labels	D-28
Power Cord	D-30
Motor Connection Block, Terminal Extractor Tools	D-32
Wire Harnesses and Wires	D-34
Parts Index	D-35

Control Panel and Controls



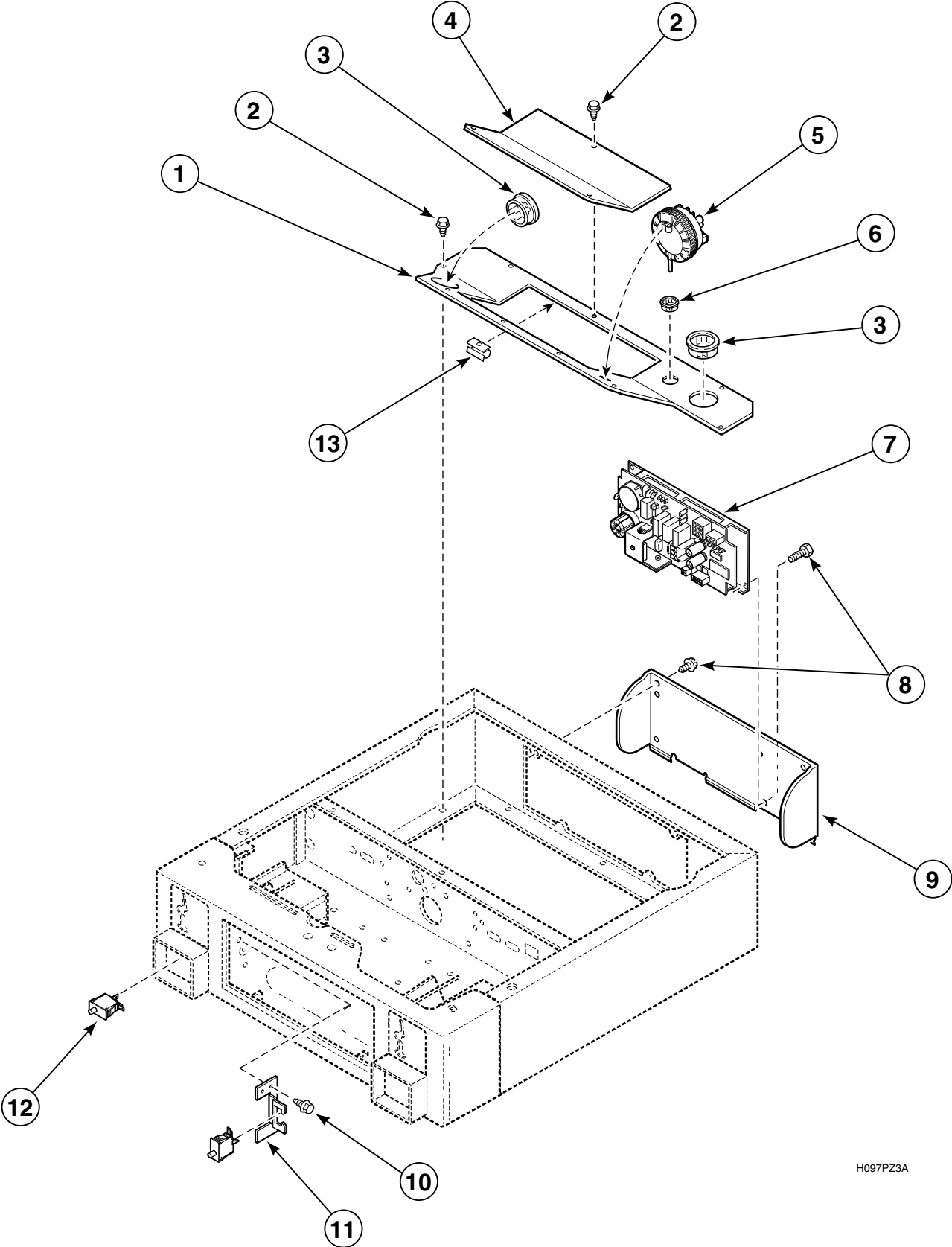
H096PZ3A

Control Panel and Controls

REF	PART #	DESCRIPTION	COMMENTS
1	27260	Lock Assembly	
2	27261	Cam	
3	M414050P	Electronic Control - Dryer	
4	800303P	Electronic Control - Washer	
5	800373	Keypad Protector	
6	32464	Indicator Light	
7	505507*	Control Panel	
8	505617	Control Panel Overlay	
9	501524	Screw	

* Add Letter To Designate Color. L – Almond W – White

Control Cabinet Controls



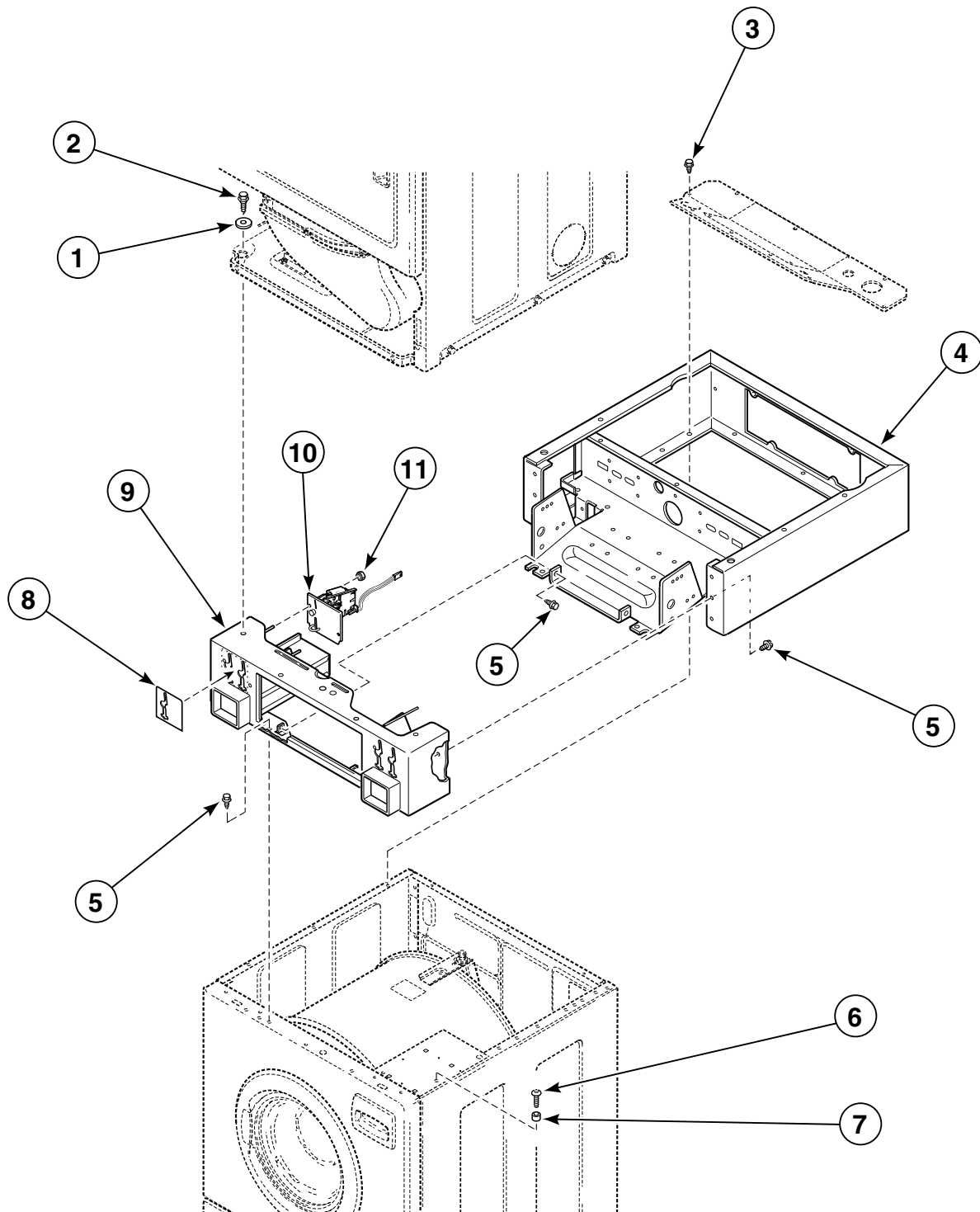
H097PZ3A

Control Cabinet Controls

REF	PART #	DESCRIPTION	COMMENTS
1	800063	Control Shield	
2	503661	Screw	
3	503235	Bushing	
4	800066	Service Door	
5	800468	Pressure Switch	
6	M402542	Bushing	
7	687539P	Motor Control Board	
8	501524	Screw	
9	800177	Rear Access Panel	
10	503688	Screw	
11	38087	Bracket	
12	504570	Switch	
13	36985	Clip	

Control Cabinet and Coin Drop

(Models STE517*E and STG519*E)



H063PZ3A

* Add Letter To Designate Color. L – Almond W – White

Control Cabinet and Coin Drop

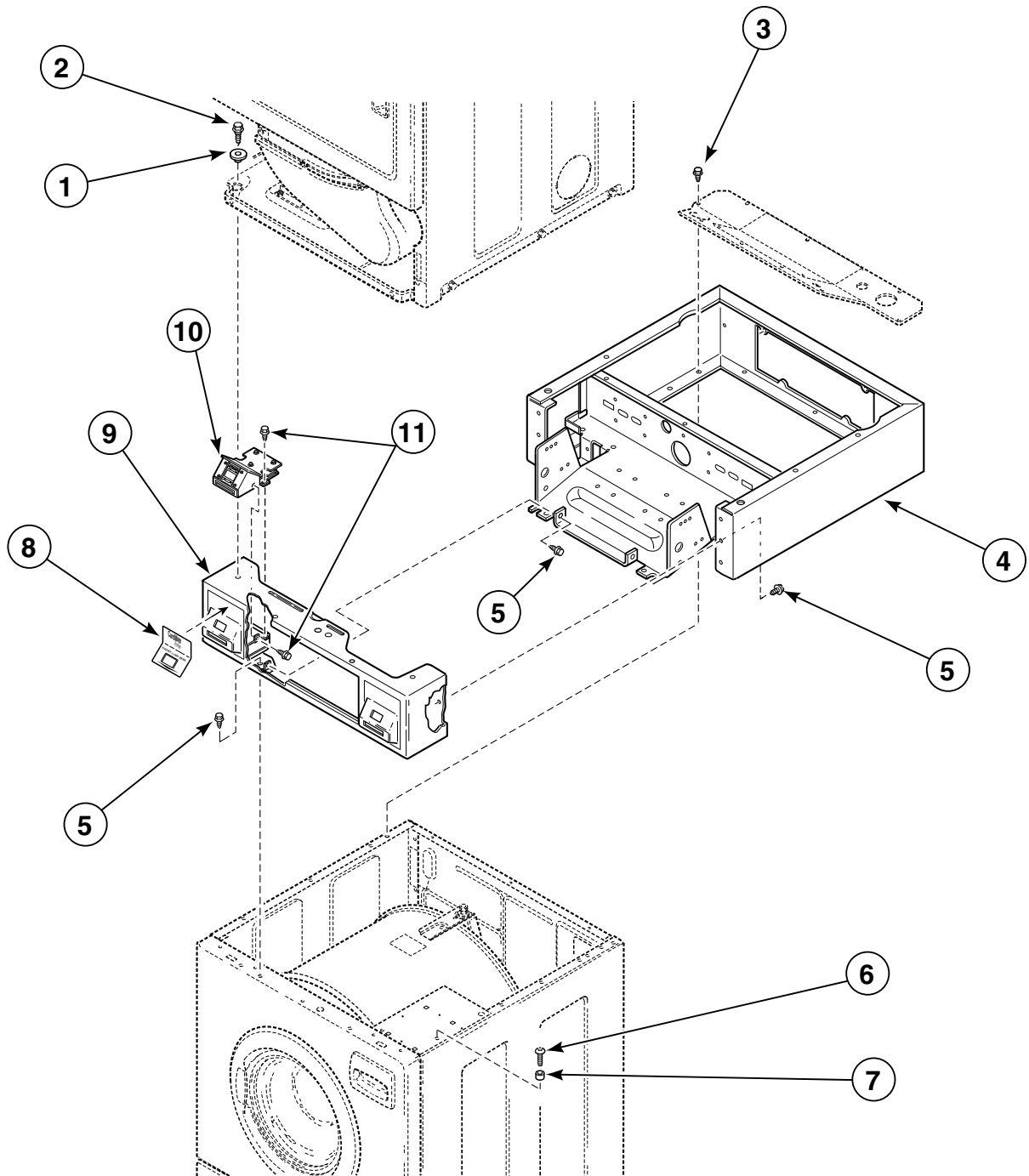
(Models STE517*E and STG519*E)

REF	PART #	DESCRIPTION	COMMENTS
1	501307	Shoulder Washer	
2	36048	Screw	
3	503661	Screw	
4	800050*	Control Cabinet Wrapper	
5	503688	Screw	
6	32671	Screw	
7	56079	Panel Locator	
8	38717	Overlay	
9	503761*	Control Cabinet Front	
10	38479	Coin Drop	
11	29786	Locknut	

* Add Letter To Designate Color. L – Almond W – White

Control Cabinet and Card Reader

(Models STE717*E and STG719IE)



H064PZ3A

* Add Letter To Designate Color. L – Almond W – White

Control Cabinet and Card Reader

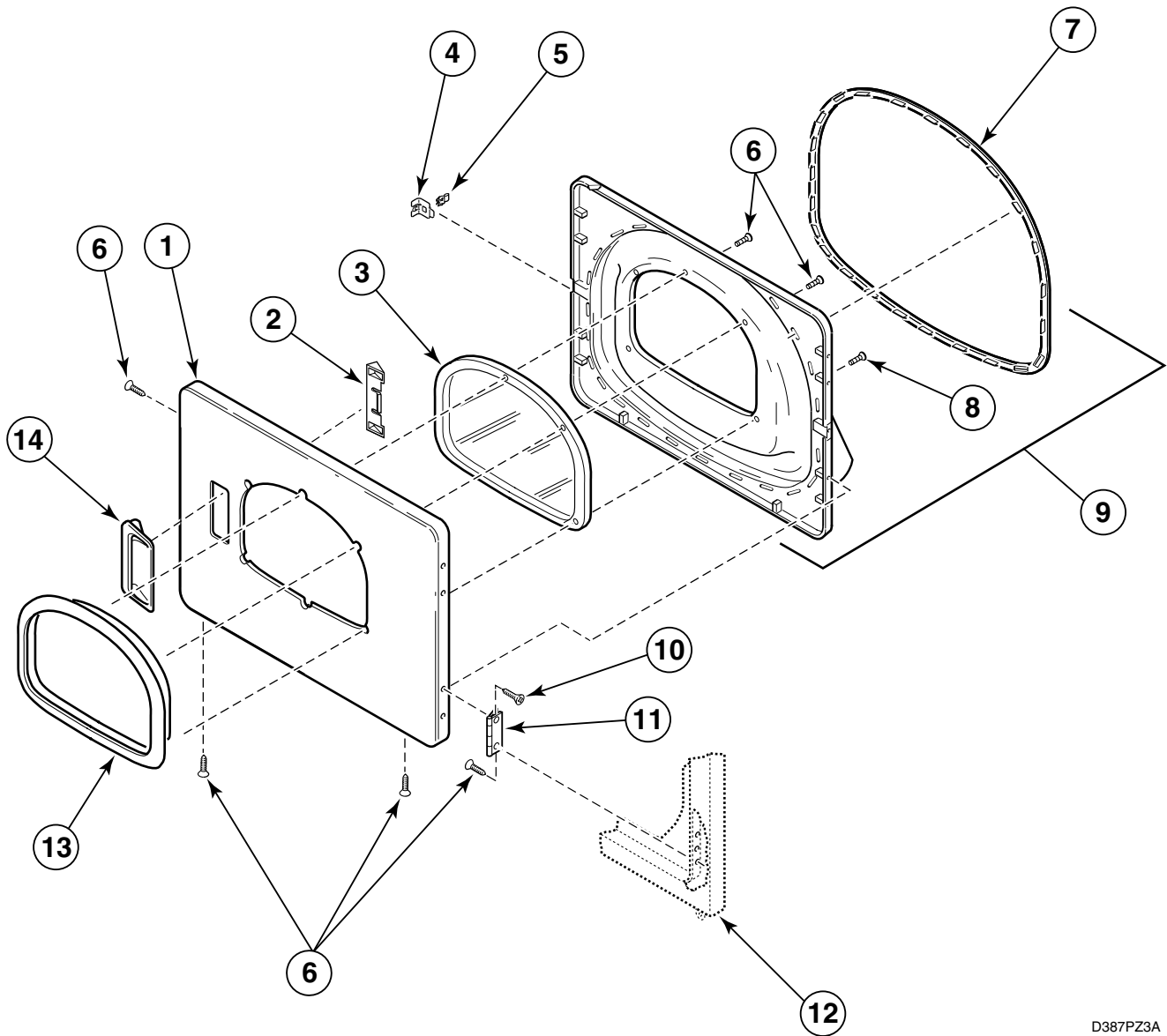
(Models STE717*E and STG719IE)

REF	PART #	DESCRIPTION	COMMENTS
1	501307	Shoulder Washer	
2	36048	Screw	
3	503661	Screw	
4	800050*	Control Cabinet Wrapper	
5	503688	Screw	
6	32671	Screw	
7	56079	Panel Locator	
8	38192	Instruction Label	
9	503428*	Control Cabinet Front	
10	39685	Card Reader	
11	501524	Screw	

* Add Letter To Designate Color. L – Almond W – White

Loading Door with Window

(Dryer)



D387PZ3A

Loading Door with Window

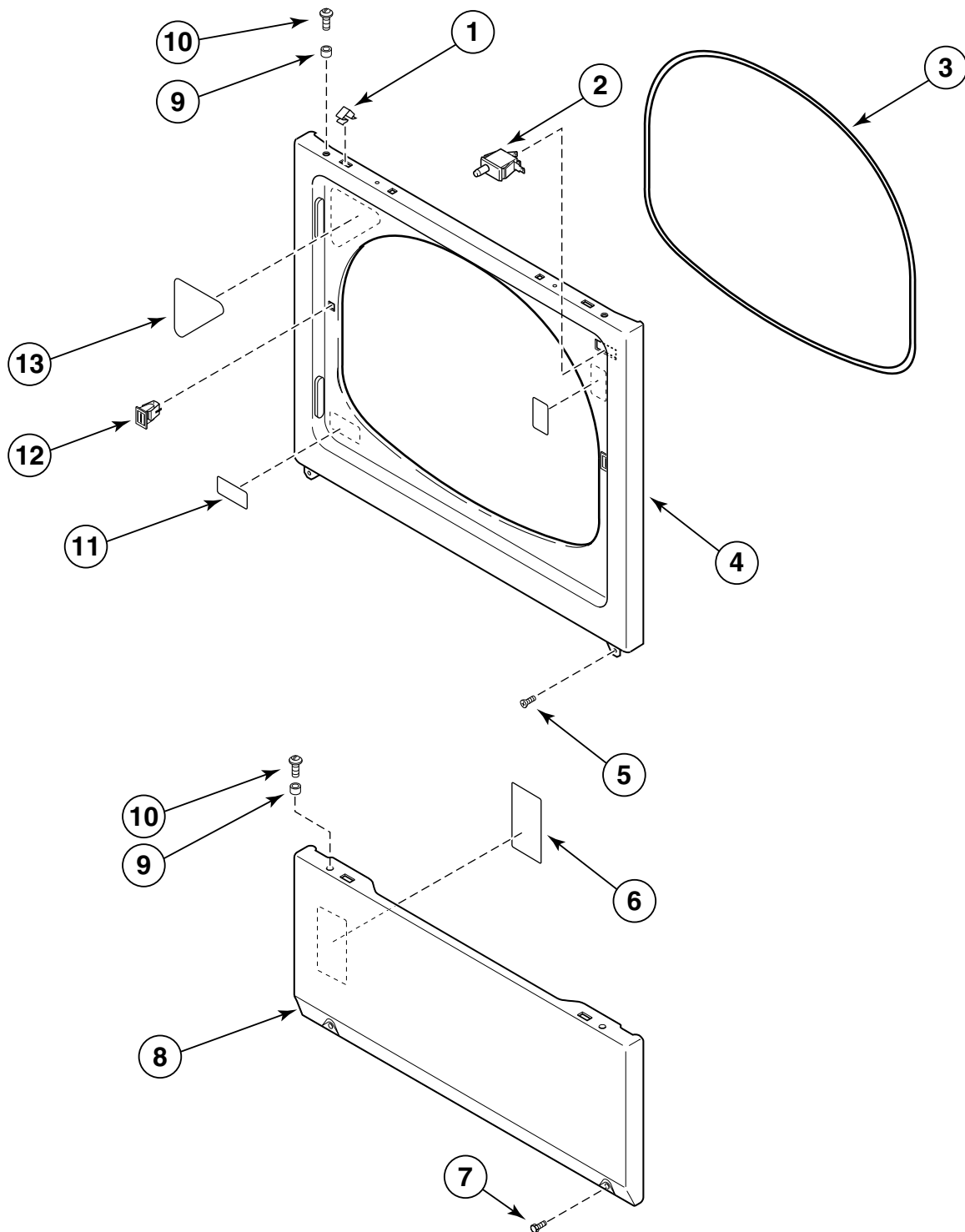
(Dryer)

REF	PART #	DESCRIPTION	COMMENTS
1	503655*	Outer Door Panel	
2	505328	Wedge	
3	503982	Window	
4	500223	Door Striker Bracket	
5	500039	Door Striker	
6	52864	Screw	
7	503645	Door Seal	
8	500227	Screw	
9	503871W	Inner Door Panel and Seal Assembly	
10	505295	Screw	
11	503676	Door Hinge	
12	503656*	Front Panel	
13	503981*	Window Trim	
14	503646*P	Door Pull	Includes item 2

* Add Letter To Designate Color. L – Almond W – White

Access Panel, Front Panel and Seal

(Dryer)



D335PZ3B

Access Panel, Front Panel and Seal

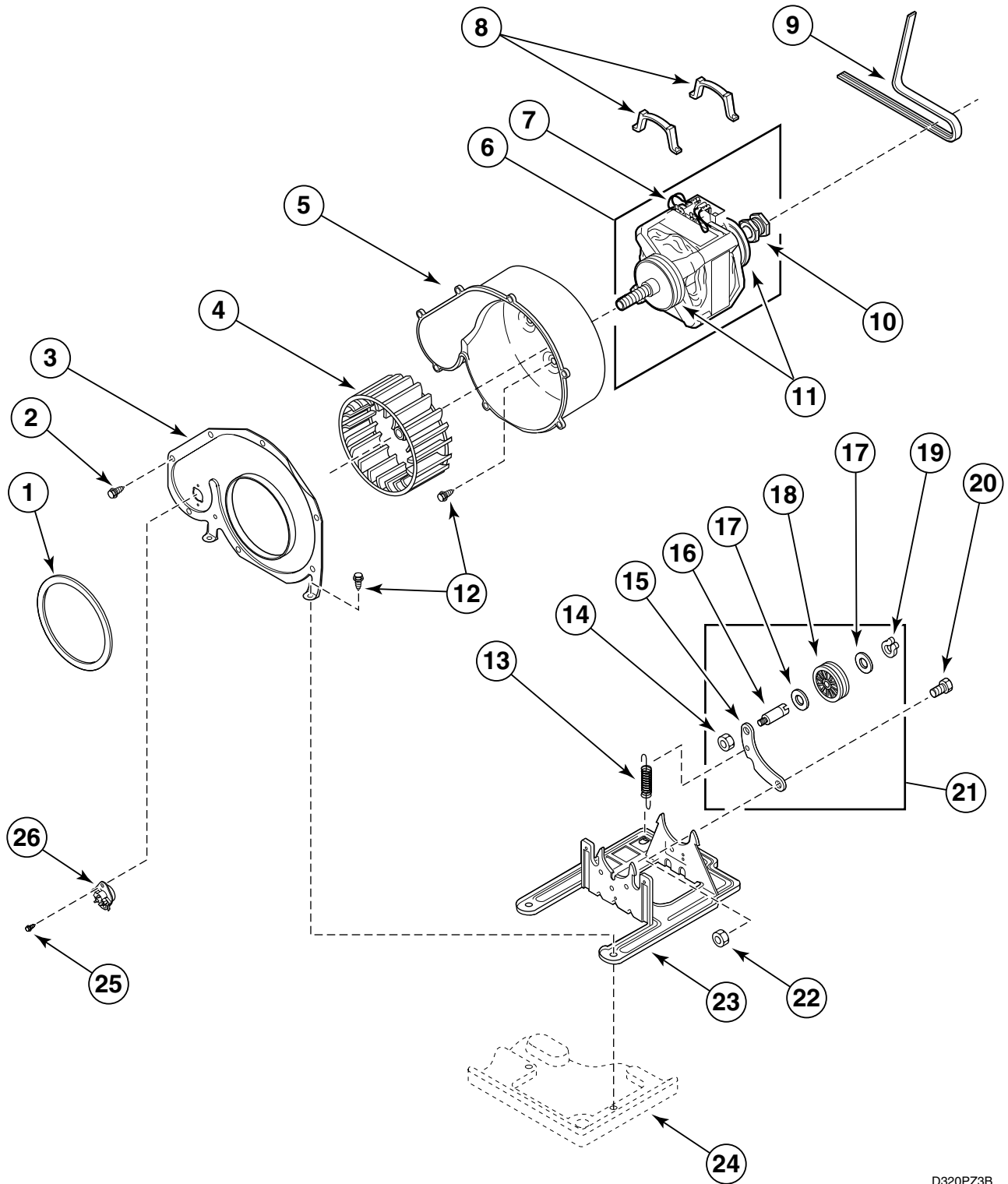
(Dryer)

REF	PART #	DESCRIPTION	COMMENTS
	282P4	Torx Bit	Use with 62853 Screw
	24161	Torx Bit Holder	Use with 62853 Screw
1	28835	Hold-Down Clip	Upper Dryer only
2	504570	Door Switch	
3	504005	Front Panel Seal	
4	503656*	Front Panel	
5	503661	Screw	
6	502790	Label	Gas Models
7	33562	Slotted Hex Head Screw	
	62853	Torx Head Screw	Optional for Added Security
8	510069*	Access Panel	
9	56079	Locator	
10	32671	Screw	
11	502804	Label	
12	54660	Door Catch	
13	500281	Label	

* Add Letter To Designate Color. L – Almond W – White

Motor, Exhaust Fan and Belt

(Dryer)



D320PZ3B

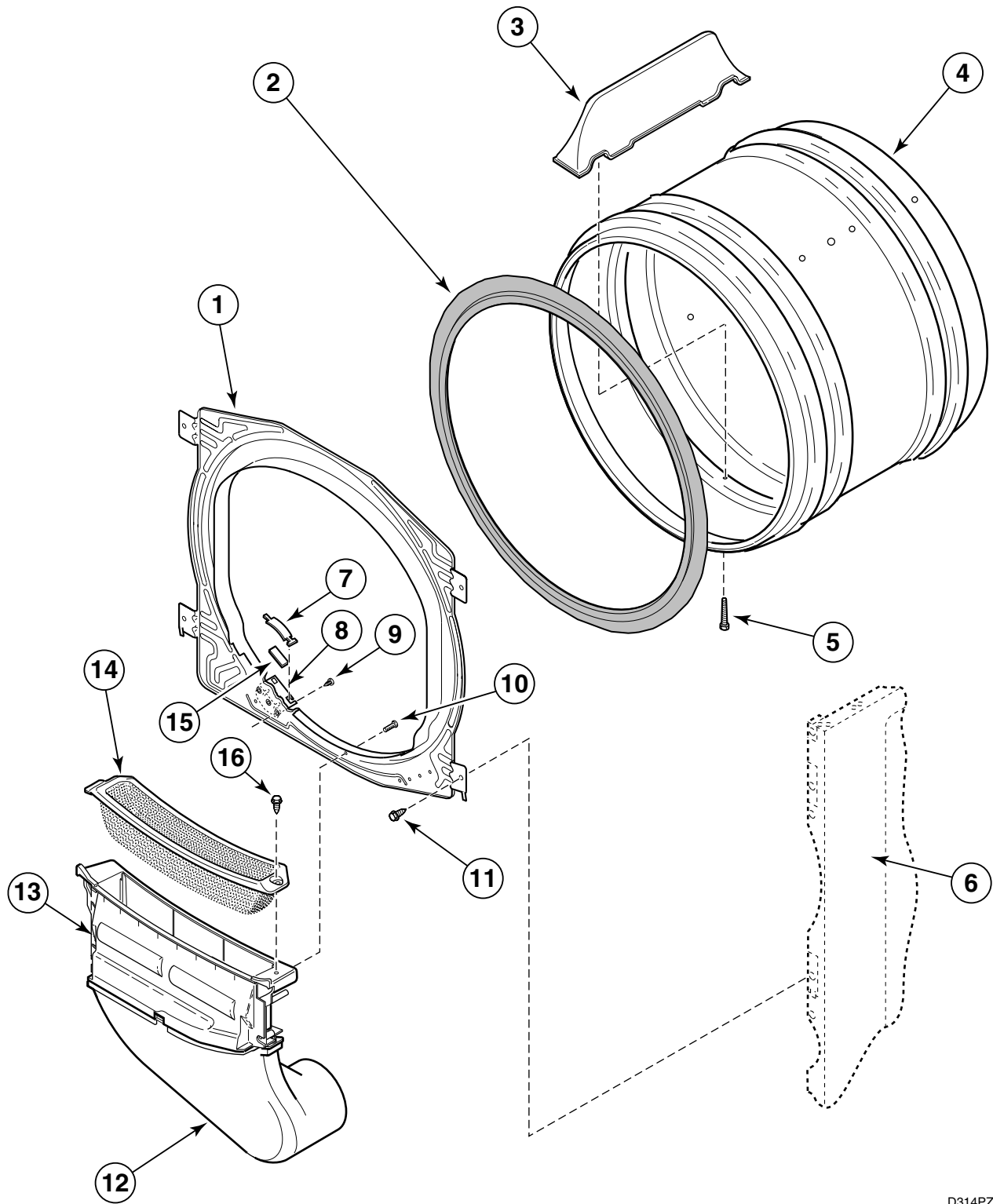
Motor, Exhaust Fan and Belt

(Dryer)

REF	PART #	DESCRIPTION	COMMENTS
1	504018	Seal	
2	31260	Screw	
3	500078	Exhaust Fan Cover	
4	56000	Exhaust Fan Impeller	
5	56020	Exhaust Fan Housing	
6	502368P	Motor Assembly	Includes items 7, 10 and 11
7	501218P	Motor Switch	Does not include Thermal Protector
8	58047	Motor Mounting Clamp	
9	59174	Belt	
10	500011	Motor Pulley	
11	590P3	Motor Hub Ring Kit	
12	503661	Screw	
13	56076	Spring	
14	56156	Locknut	
15	500910	Idler Lever	
16	56461	Shaft	
17	52549	Washer	
18	54414	Idler Pulley	
19	23748	Retainer Ring	
20	500824	Shoulder Screw	
21	500269	Idler Pulley and Lever Assembly	
22	52566	Locknut	
23	503613	Motor Mounting Bracket	
24	500070	Base	
25	33561	Screw	
26	59500	Thermistor	

Front Bulkhead, Air Duct, Felt Seal and Cylinder

(Dryer)



D314PZ3A

Front Bulkhead, Air Duct, Felt Seal and Cylinder

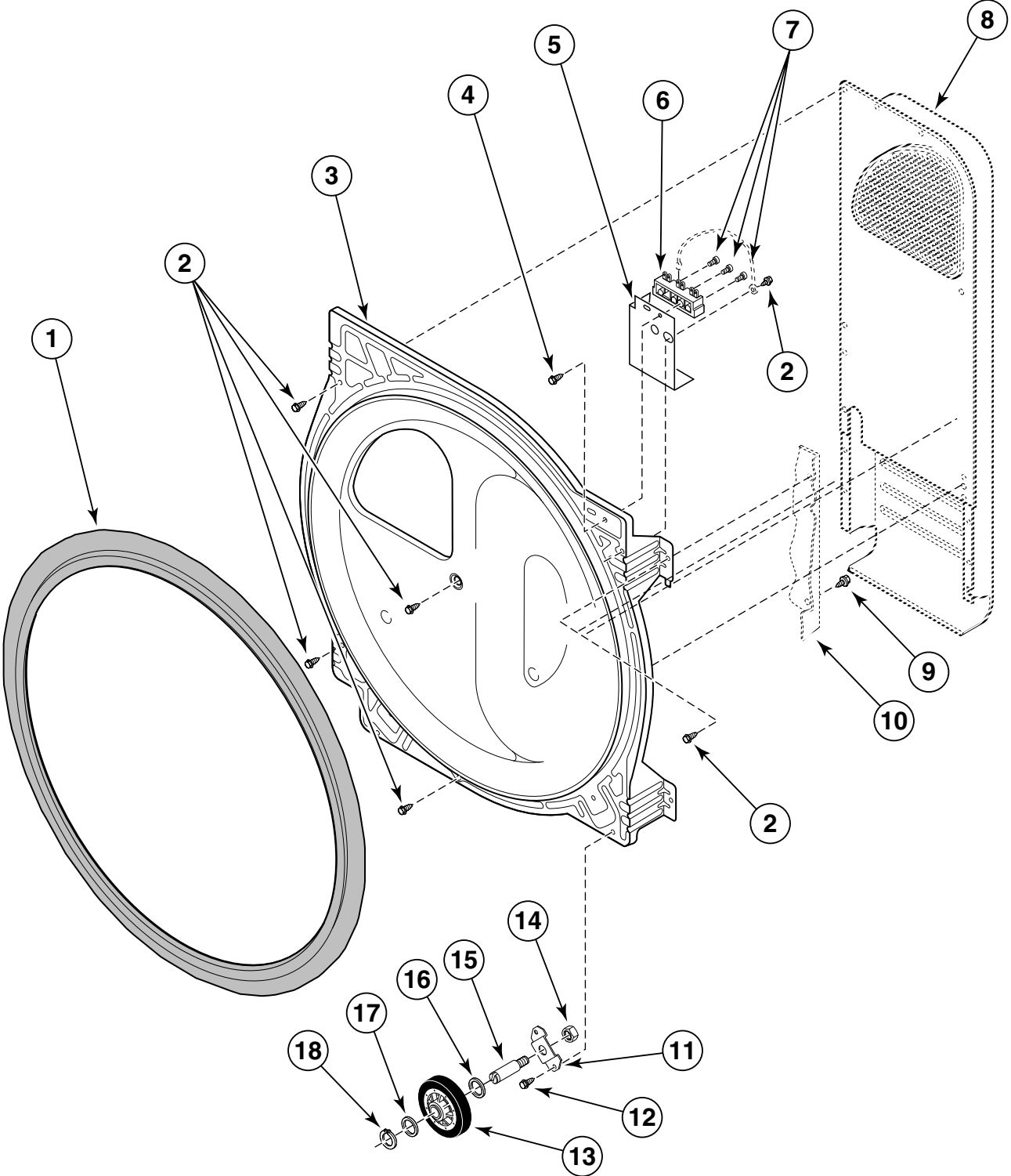
(Dryer)

REF	PART #	DESCRIPTION	COMMENTS
	22506P	Adhesive for Cylinder Seal	
1	505058	Front Bulkhead	
2	501801	Cylinder Seal	
3	503703	Baffle	
4	504466P	Cylinder Assembly	Includes Baffles
5	62588	Screw	
6	727P3*	Cabinet Kit	
7	503452	Cylinder Glide	Two required per side
8	501554	Glide Bracket	
9	504540	Rivet	
10	52864	Screw	
11	503688	Screw	
12	503626	Lower Air Duct Assembly	
13	505529	Upper Air Duct Assembly	
14	503980	Lint Filter	
15	503453	Felt Pad	
16	501285	Screw	

* Add Letter To Designate Color. L – Almond W – White

Rear Bulkhead, Felt Seal, Cylinder Roller and Terminal Block

(Dryer)



D291PZ3D

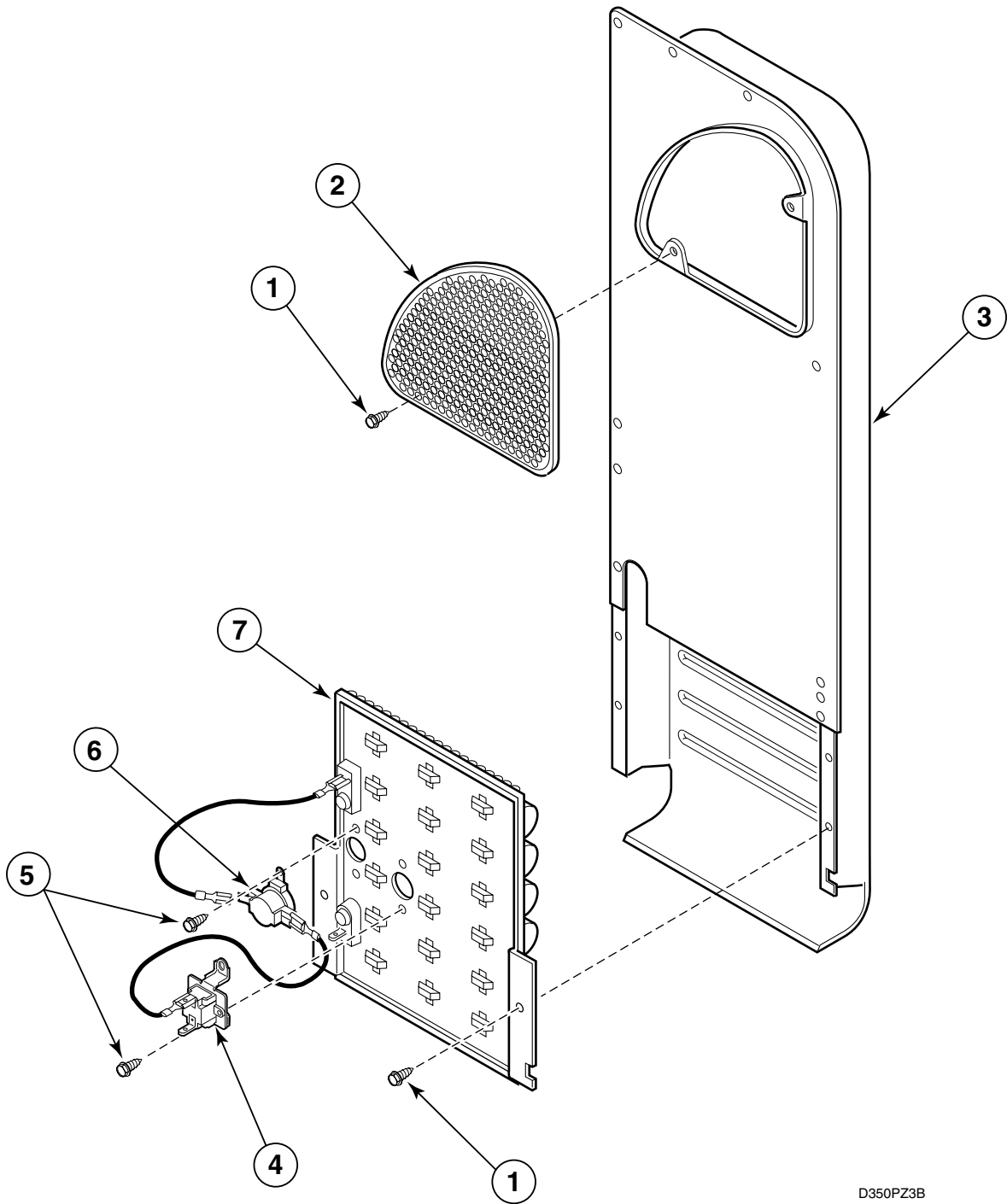
Rear Bulkhead, Felt Seal, Cylinder Roller and Terminal Block

(Dryer)

REF	PART #	DESCRIPTION	COMMENTS
	22506P	Adhesive for Cylinder Seal	
1	501801	Cylinder Seal	
2	503661	Screw	
3	505244	Rear Bulkhead	
4	501285	Screw	
5	504185	Shield	Electric Models only
6	61923P	Terminal Block	Includes three 61199 Screws – Electric Models
7	61199	Screw	
8	503607P	Heater Duct Assembly	Includes 500820 Outlet Cover
9	503688	Screw	
10	727P3*	Cabinet Kit	
11	500062	Roller Bracket	
12	503688	Screw	
13	500214P	Cylinder Roller	
14	56156	Locknut	
15	56461	Shaft	
16	504082	Wave Washer	
17	52549	Washer	
18	23748	Retainer Ring	

Heater Duct and Element Assembly

(Electric Model Dryers)



D350PZ3B

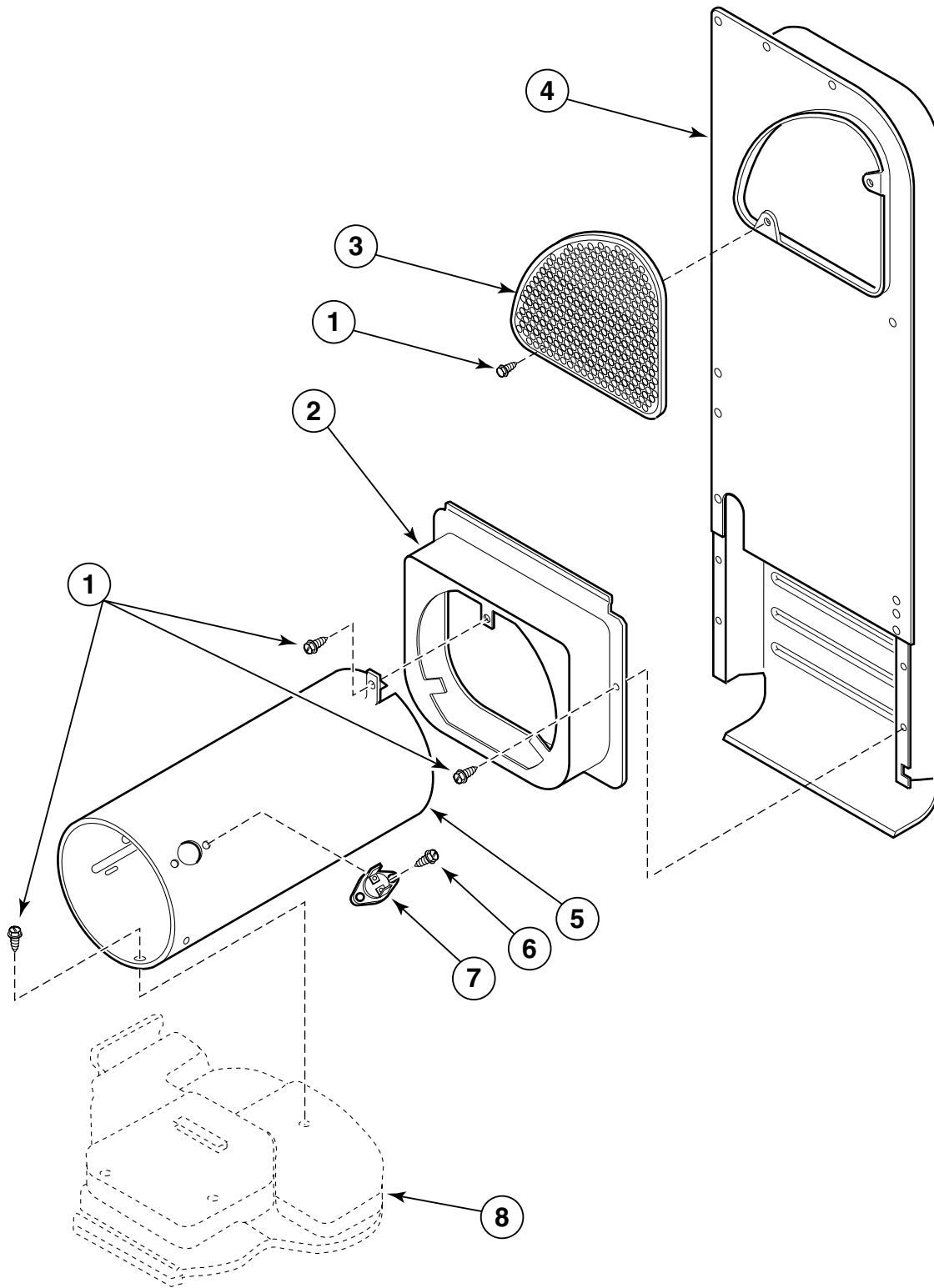
Heater Duct and Element Assembly

(Electric Model Dryers)

REF	PART #	DESCRIPTION	COMMENTS
1	503688	Screw	
2	500820	Outlet Cover	
3	503607P	Heater Duct Assembly	Includes 500820 Outlet Cover
4	62600	Thermal Fuse	
5	23222	Screw	
6	62641	Limit Thermostat	
7	503978	Heater Assembly	

Heater Duct Assembly

(Gas Model Dryers)



D315PZ3B

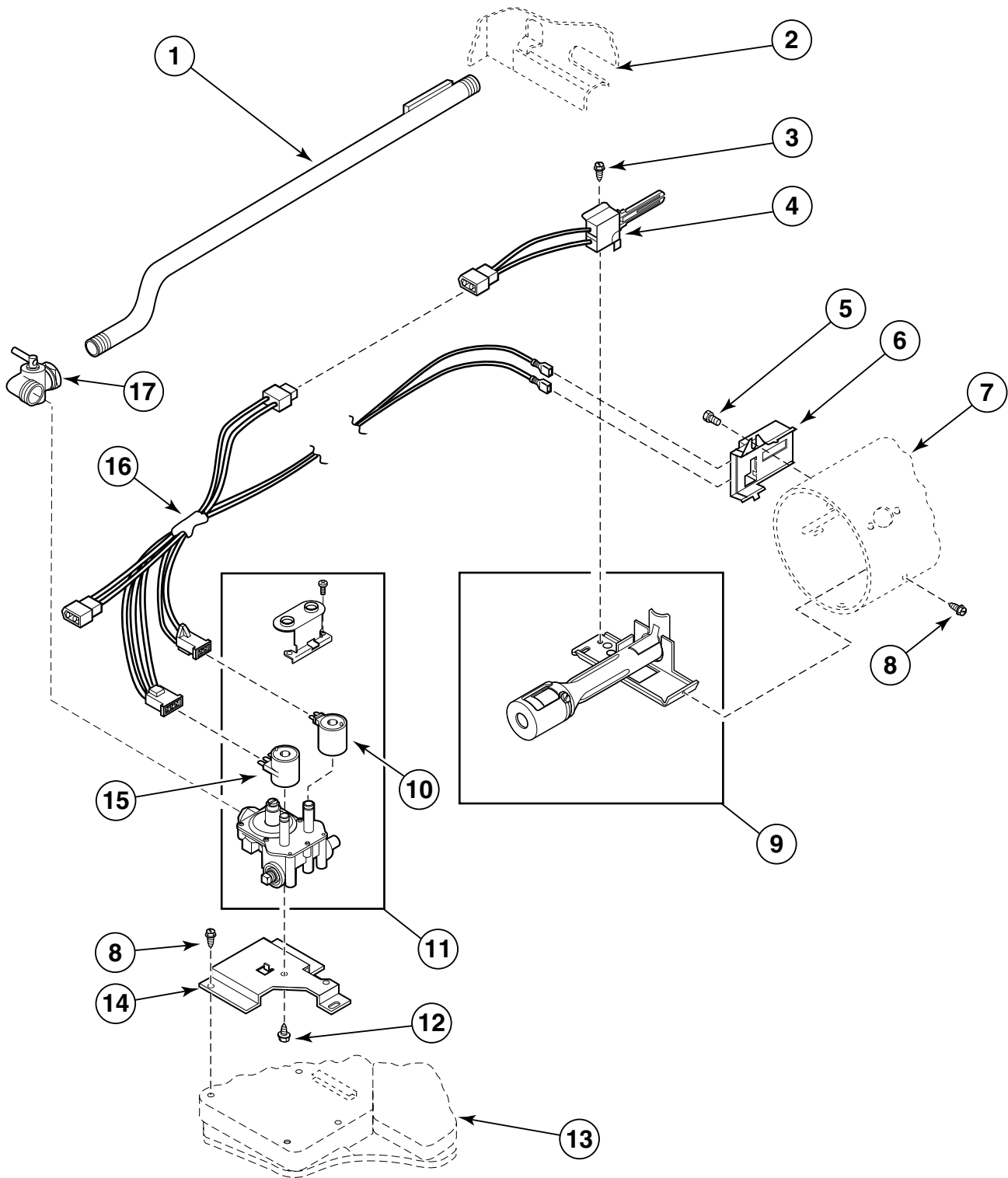
Heater Duct Assembly

(Gas Model Dryers)

REF	PART #	DESCRIPTION	COMMENTS
1	503688	Screw	
2	500122	Heat Shroud	
3	500820	Outlet Cover	
4	503607P	Heater Duct Assembly	Includes 500820 Outlet Cover
5	61888	Combustion Duct	
6	51782	Screw	
7	61886	Limit Thermostat	Color Code "Black"
8	500070	Base	

Gas Valve, Igniter and Gas Conversion Kits

(Gas Model Dryers)



D303PZ3A

Gas Valve, Igniter and Gas Conversion Kits

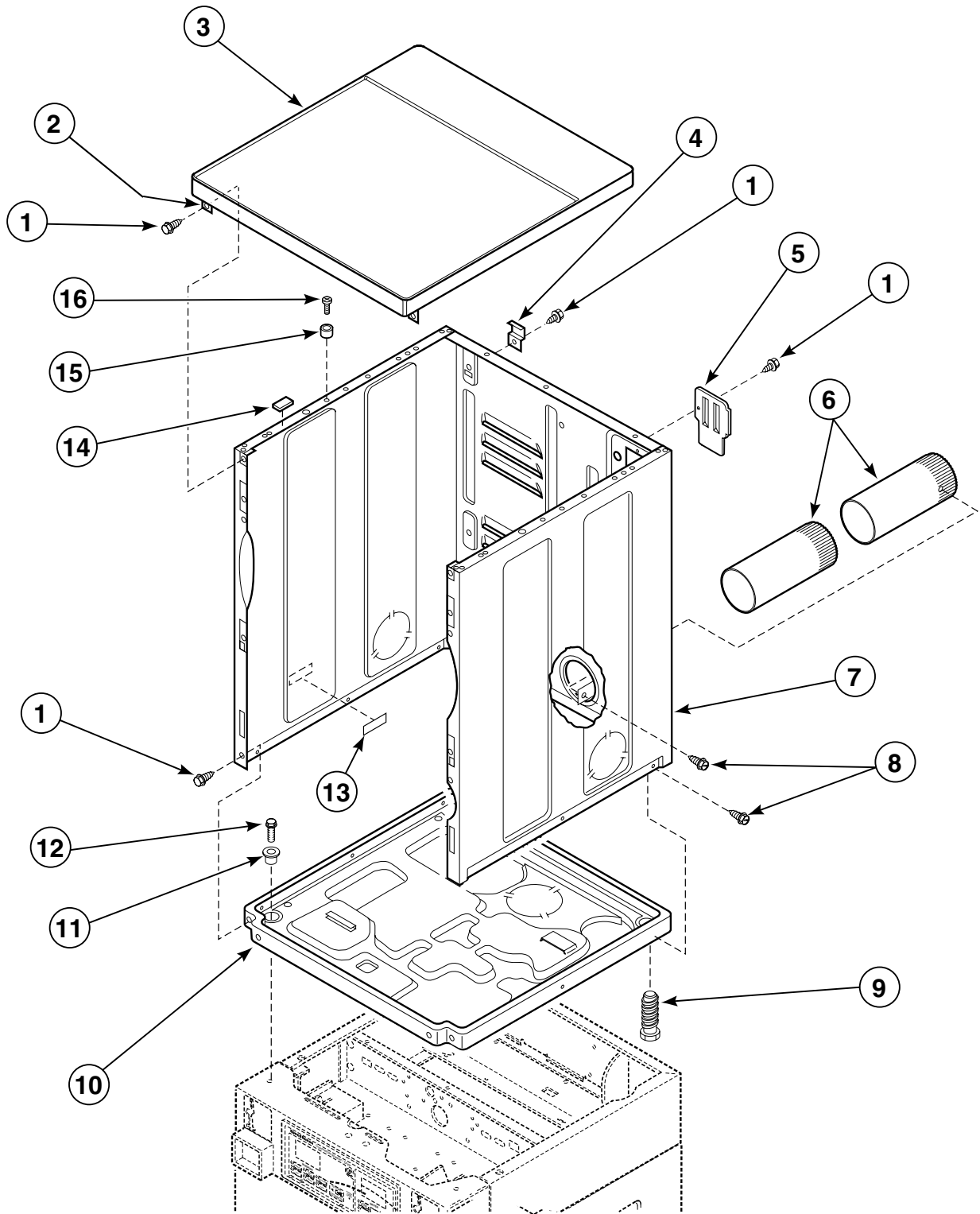
(Gas Model Dryers)

REF	PART #	DESCRIPTION	COMMENTS
	458P3	Gas Burner Conversion Kit	Used to convert dryers from Natural/Mixed to LP Gas
	459P3	Gas Burner Conversion Kit	Used to convert dryers from LP to Natural/Mixed Gas
1	500647	Lead-In Pipe Assembly	
2	727P3*	Cabinet Kit	
3	51782	Screw	
4	60868	Igniter and Bracket Assembly	
5	23222	Screw	
6	56231	Sensor	
7	61888	Combustion Duct	
8	503688	Screw	
9	56234	Burner Assembly	
10	58804B	Secondary Coil	
11	60353	Gas Valve Assembly	
12	56124	Screw	
13	500070	Base	
14	500821	Mounting Bracket	
15	58804A	Holding and Booster Coil	
16	60641	Wire Harness	
17	56229	Shut-off Valve	

* Add Letter To Designate Color. L – Almond W – White

Cabinet, Exhaust Duct and Base

(Dryer)



H065PZ3A

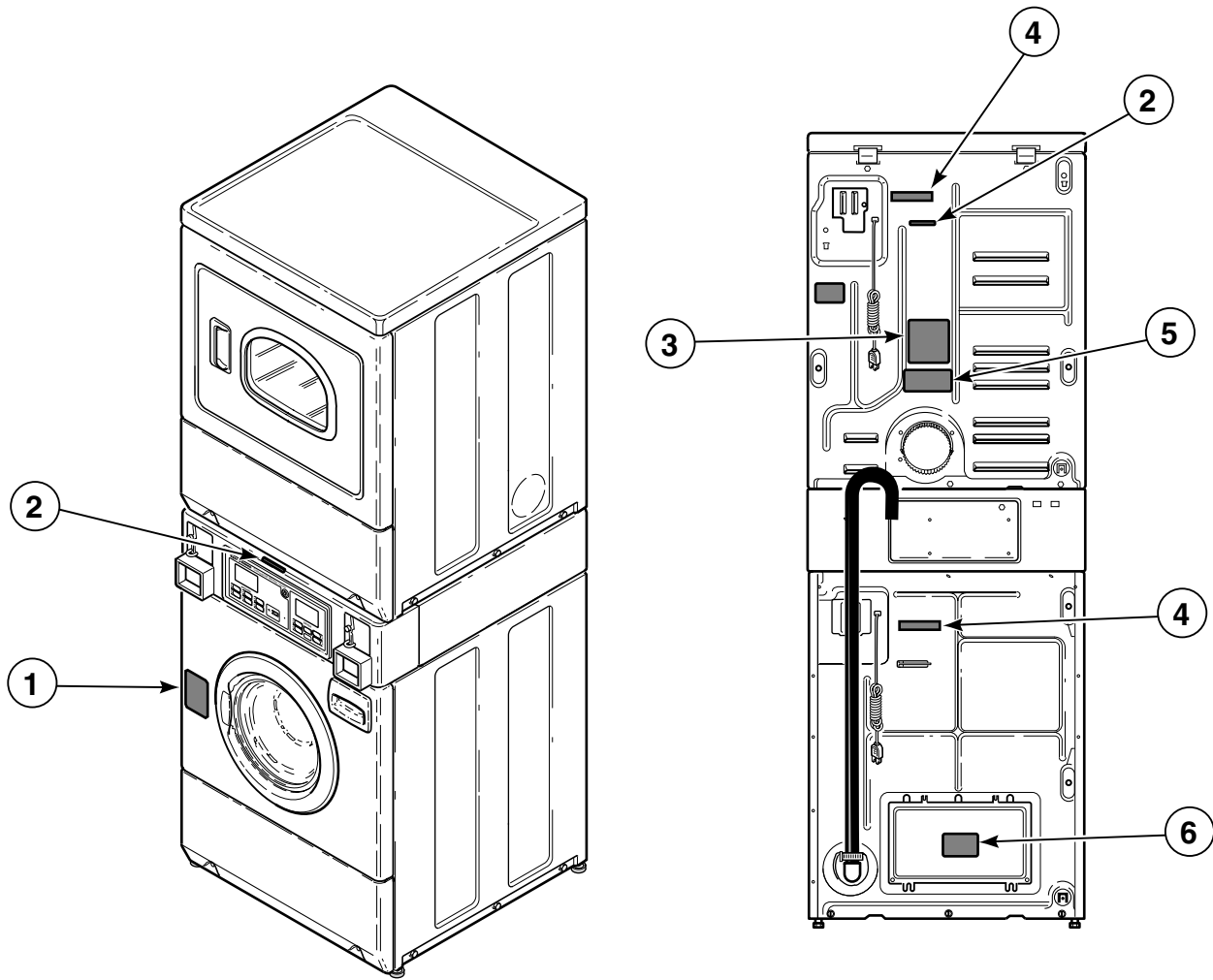
Cabinet, Exhaust Duct and Base

(Dryer)

REF	PART #	DESCRIPTION	COMMENTS
1	503661	Screw	
2	510146	Bracket	
3	500215*P	Cabinet Top	Includes items 1 and 2
4	500003	Hinge	
5	500114	Access Plate	
6	500064	Exhaust Duct	
7	727P3*	Cabinet Kit	
8	503688	Screw	
9	500101	Leveling Leg	Rear Only
10	500070	Base	
11	501307	Shoulder Washer	
12	29277	Screw	
13	61294	Label	Electric Models
14	56128	Bumper	
15	56079	Panel Locator	
16	32671	Screw	

* Add Letter To Designate Color. L – Almond W – White

Labels



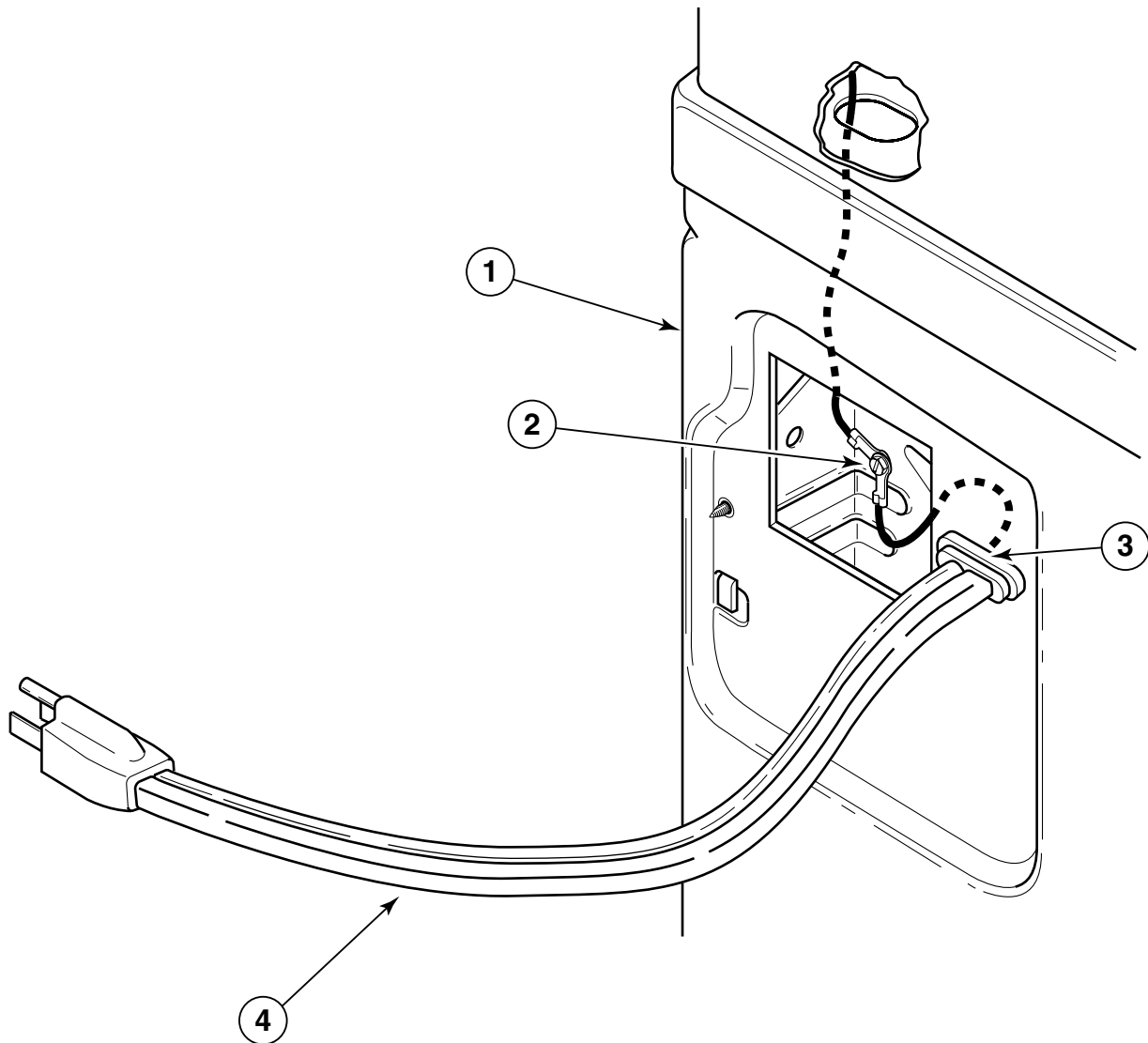
H103PZ3A

Labels

REF	PART #	DESCRIPTION	COMMENTS
1	685947	Label	
2	58186	Label	
3	502790	Label	
4	505281	Label	
5	500497	Label	
6	500049	Label	

Power Cord

(All Gas Models)



D298PZ3B

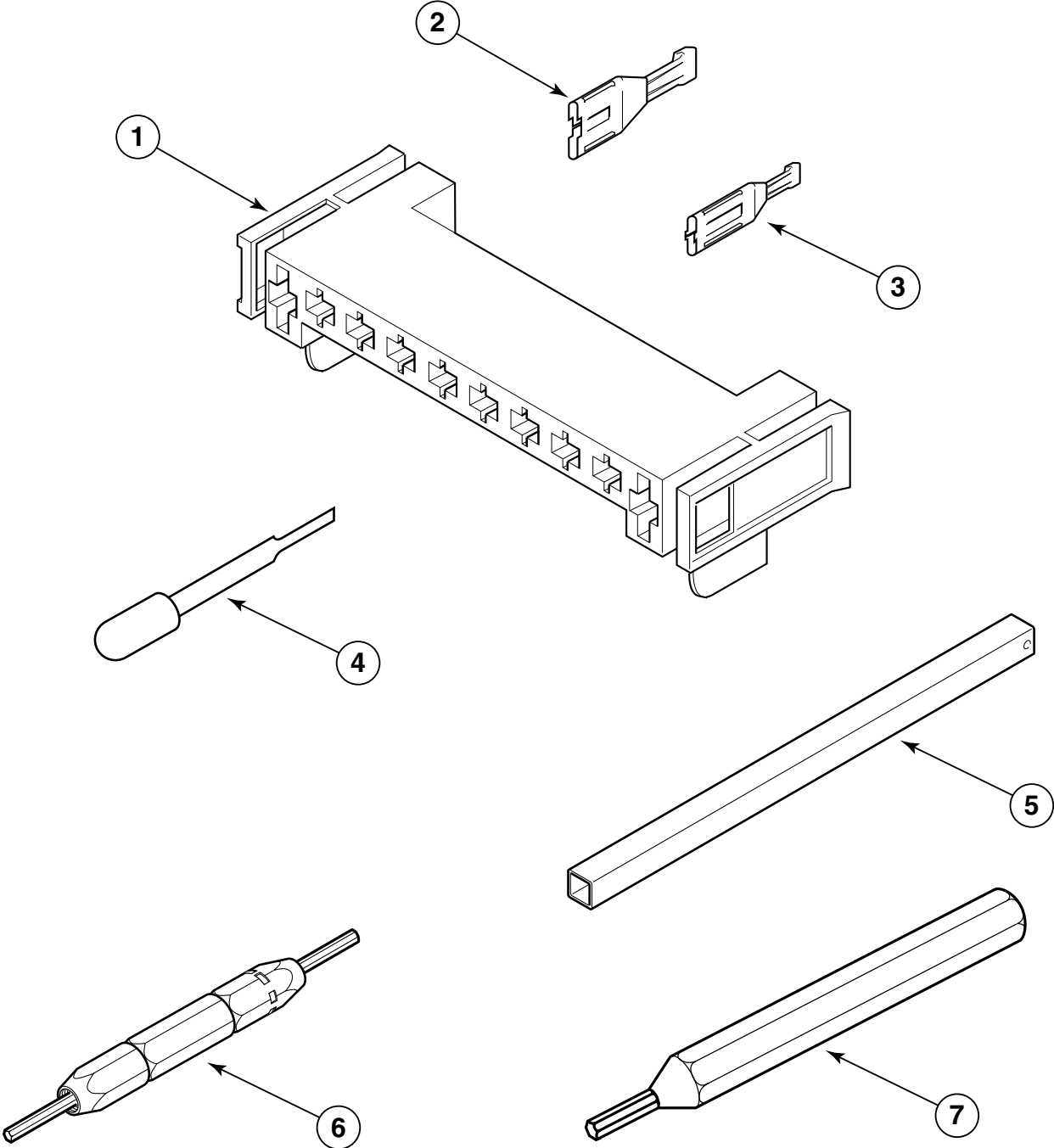
Power Cord

(All Gas Models)

REF	PART #	DESCRIPTION	COMMENTS
1	727P3*	Cabinet Kit	
2	20530	Screw	
3	38384	Strain Relief	
4	59308	Power Cord	

* Add Letter To Designate Color. L – Almond W – White

Motor Connection Block, Terminal Extractor Tools



D319PZ3A

Motor Connection Block, Terminal Extractor Tools

REF	PART #	DESCRIPTION	COMMENTS
1	500338	Motor Connection Block	Molex – 10 Circuit
2	00255	Spade Terminal	1/4 Inch – For (1) 12 Gauge Wire
	00256	Spade Terminal	1/4 Inch – For (1) or (2) 18 Gauge Wires
3	00188	Molex Terminal	For One or Two Wire Applications
4	283P4	Terminal Extractor Tool	For use on Molex connectors
5	310P4	Ratchet Extension Tool	1/4 Inch – For coin drop installation
6	190P4	Terminal Extractor Tool	For use on electric dryer terminals
7	128P4	Terminal Extractor Tool	For use on gas dryer terminals

Wire Harnesses and Wires

Individual wires are not available separately. Order complete wire harness, or order wire by the foot. See chart at bottom of page.

MODEL NUMBER	WASHER MOTOR HARNESS	WASHER BASE HARNESS	WASHER CONTROL HARNESS	WASHER CARD READER HARNESS	DRYER MAIN HARNESS
STE517*E	687579	687574	687585	—	505099
STG519*E	687579	687574	687585	—	504722
STE717*E	687579	687574	600059	686581	505099
STG719*E	687579	687574	600059	686581	504722

* Add Letter To Designate Color. L – Almond W – White

Order the individual wire color and gauge by the part number listed below. Order wire by the foot and terminals and connectors as required. It is recommended when applying terminals to wires that the terminals be soldered to the wires.

IMPORTANT: Always replace wires with proper gauge.

PART NUMBER	WIRE GAUGE	WIRE COLOR
45001	18 Gauge Wire	Black
45380	12 Gauge Wire	Orange

Parts Index

(Dryer)

A

Access Panel	
510069*	D-13
Access Plate	
500114	D-27
Adhesive for Cylinder Seal	
22506P	D-17, D-19

B

Baffle	
503703	D-17
Base	
500070	D-15, D-23, D-25, D-27
Base Harness, Washer	
687574	D-34
Belt	
59174	D-15
Bracket	
38087	D-5
510146	D-27
Bumper	
56128	D-27
Burner Assembly	
56234	D-25
Bushing	
503235	D-5
M402542	D-5

C

Cabinet Kit	
727P3*	D-17, D-19, D-25, D-27, D-31
Cabinet Top	
500215*P	D-27
Cam	
27261	D-3
Card Reader	
39685	D-9
Card Reader Harness, Washer	
686581	D-34
Clip	
36985	D-5
Coin Drop	
38479	D-7
Combustion Duct	
61888	D-23, D-25
Control Cabinet Front	
503428*	D-9
503761*	D-7
Control Cabinet Wrapper	
800050*	D-7, D-9
Control Harness, Washer	
600059	D-34
687585	D-34

Control Panel	
505507*	D-3
Control Panel Overlay	
505617	D-3
Control Shield	
800063	D-5
Cylinder Assembly	
504466P	D-17
Cylinder Glide	
503452	D-17
Cylinder Roller	
500214P	D-19
Cylinder Seal	
501801	D-17, D-19

D

Door Catch	
54660	D-13
Door Hinge	
503676	D-11
Door Pull	
503646*P	D-11
Door Seal	
503645	D-11
Door Striker	
500039	D-11
Door Striker Bracket	
500223	D-11
Door Switch	
504570	D-13

E

18 Gauge Wire	
45001	D-34
Electronic Control - Dryer	
M414050P	D-3
Electronic Control - Washer	
800303P	D-3
Exhaust Duct	
500064	D-27
Exhaust Fan Cover	
500078	D-15
Exhaust Fan Housing	
56020	D-15
Exhaust Fan Impeller	
500078	D-15

F

Felt Pad	
503453	D-17
Front Bulkhead	
505058	D-17
Front Panel	
503656*	D-11, D-13

Front Panel Seal	
504005	D-13

G

Gas Burner Conversion Kit	
458P3	D-25
459P3	D-25
Gas Valve Assembly	
60353	D-25
Glide Bracket	
501554	D-17

H

Heat Shroud	
500122	D-23
Heater Assembly	
503978	D-21
Heater Duct Assembly	
503607P	D-19, D-21, D-23
Hinge	
500003	D-27
Hold-Down Clip	
28835	D-13
Holding and Booster Coil	
58804A	D-25

I

Idler Lever	
500910	D-15
Idler Pulley	
54414	D-15
Idler Pulley and Lever Assembly	
500269	D-15
Igniter and Bracket Assembly	
60868	D-25
Indicator Light	
32464	D-3
Inner Door Panel and Seal Assembly	
503871W	D-11
Instruction Label	
38192	D-9

K

Keypad Protector	
800373	D-3

L

Label	
500049	D-29
500281	D-13
500497	D-29
502790	D-13, D-29
502804	D-13
505281	D-29

58186	D-29
61294	D-27
685947	D-29

Lead-In Pipe Assembly	
500647	D-25
Leveling Leg	
500101	D-27
Limit Thermostat	
61886	D-23
62641	D-21
Lint Filter	
503980	D-17
Locator	
56079	D-13
Lock Assembly	
27260	D-3
Locknut	
29786	D-7
52566	D-15
56156	D-15, D-19
Lower Air Duct Assembly	
503626	D-17

M

Main Harness, Dryer	
504722	D-34
505099	D-34
Molex Terminal	
00188	D-33
Motor Assembly	
502368P	D-15
Motor Connection Block	
500338	D-33
Motor Control Board	
687539P	D-5
Motor Harness, Washer	
687579	D-34
Motor Hub Ring Kit	
590P3	D-15
Motor Mounting Bracket	
503613	D-15
Motor Mounting Clamp	
58047	D-15
Motor Pulley	
500011	D-15
Motor Switch	
501218P	D-15
Mounting Bracket	
500821	D-25

O

Outer Door Panel	
503655*	D-11
Outlet Cover	
500820	D-21, D-23
Overlay	
38717	D-7

P

Panel Locator	
56079	D-7, D-9, D-27
Power Cord	
59308	D-31
Pressure Switch	
800468	D-5

R

Ratchet Extension Tool	
310P4	D-33
Rear Access Panel	
800177	D-5
Rear Bulkhead	
505244	D-19
Retainer Ring	
23748	D-15, D-19
Rivet	
504540	D-17
Roller Bracket	
500062	D-19

S

Screw	
20530	D-31
23222	D-21, D-25
29277	D-27
31260	D-15
32671	D-7, D-9, D-13, D-27
33561	D-15
36048	D-7, D-9
500227	D-11
501285	D-17, D-19
501524	D-3, D-5, D-9
503661	D-5, D-7, D-9, D-13, D-15, D-19, D-27
503688	D-5, D-7, D-9, D-17, D-19, D-21, D-23, D-25, D-27
505295	D-11
51782	D-23, D-25
52864	D-11, D-17
56124	D-25
61199	D-19
62588	D-17
Seal	
504018	D-15
Secondary Coil	
58804B	D-25
Sensor	
56231	D-25
Service Door	
800066	D-5
Shaft	
56461	D-15, D-19
Shield	
504185	D-19
Shoulder Screw	
500824	D-15
Shoulder Washer	
501307	D-7, D-9, D-27

Shut-off Valve	
56229	D-25
Slotted Hex Head Screw	
33562	D-13
Spade Terminal	
00255	D-33
00256	D-33
Spring	
56076	D-15
Strain Relief	
38384	D-31
Switch	
504570	D-5

T

Terminal Block	
61923P	D-19
Terminal Extractor Tool	
128P4	D-33
190P4	D-33
283P4	D-33
Thermal Fuse	
62600	D-21
Thermistor	
59500	D-15
Torx Bit	
282P4	D-13
Torx Bit Holder	
24161	D-13
Torx Head Screw	
62853	D-13
12 Gauge Wire	
45380	D-34

U

Upper Air Duct Assembly	
505529	D-17

W

Washer	
52549	D-15, D-19
Wave Washer	
504082	D-19
Wedge	
505328	D-11
Window	
503982	D-11
Window Trim	
503981*	D-11
Wire	
45001	D-34
45380	D-34
Wire Harness	
504722	D-34
505099	D-34
600059	D-34
60641	D-25
686581	D-34

687574 D-34
687579 D-34
687585 D-34